

SPEC. INFO	QD3ZMED C SPEC	40219-S001-000C-B12
		JUL.15.'04

1. Model QD3ZMED
2. Application For 1/4 Format Integral Type CCTV Camera

3. Specification

3-1. Physical (As per the attached drawing)

- (1) Dimensions 35.1 mm(W) × 29.7 mm (H) × 26.8 mm (D)
- (2) Weight 18 g
- (3) Mount Exclusive special mount, Length 5.4 mm

3-2. Optical

- (1) Focal Length 2.8 mm to 7.3 mm
- (2) Max. Aperture Ratio 1:1.9 (f = 2.8 mm) to 1:3.1 (f = 7.3 mm)
- (3) Iris Range F/1.9 to F/200
(In the spectral range of 400nm to 700nm)
- (4) Illumination Ratio 1:11,000

(5) Angle of View

	WIDE	TELE
Diagonal	92.2°	35.8°
Horizontal	73.4°	28.7°
Vertical	54.7°	21.6°

- (6) Picture format 3.6 mm × 2.7 mm
- (7) Focusing Range Inf. to 0.6 m Fixed Focus
(Standard Focusing Distance 1 m)
- (8) Back Focal Length 4.90 mm to 9.41 mm
- (9) Flange Back Length 8.8 mm (Mounting Reference Plane to Image Plane, in Air)

3-3. Electrical

(1) Auto Iris

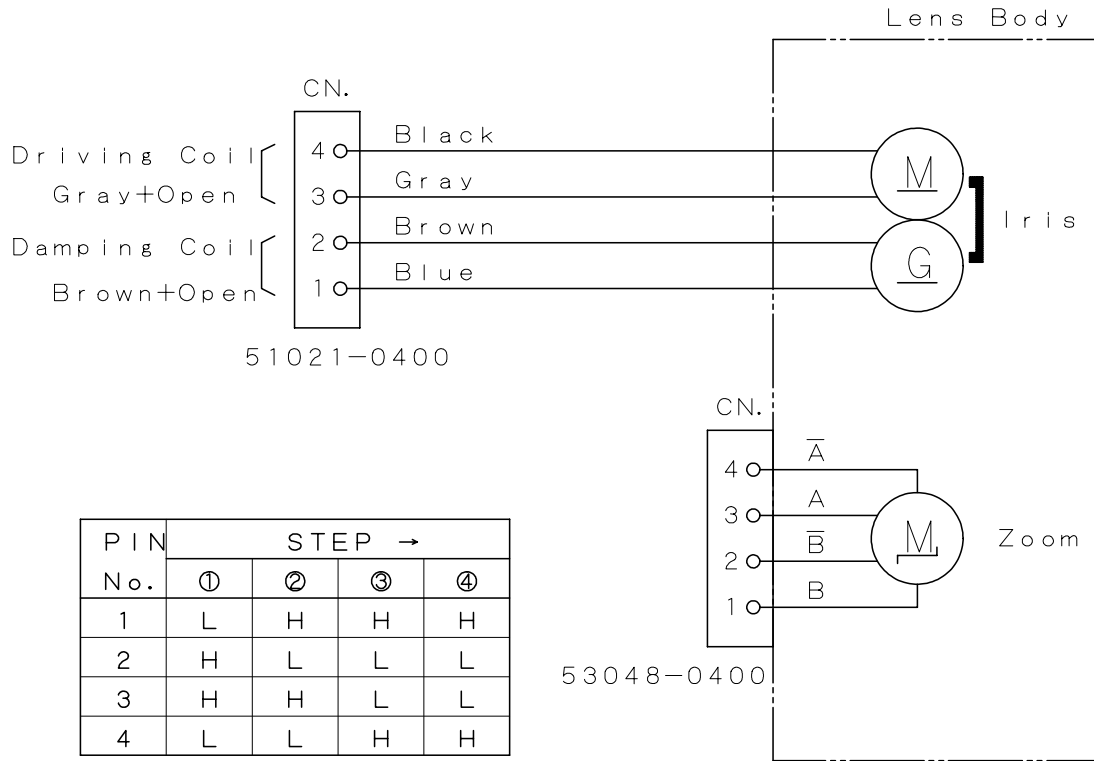
Driving Coil	Resistance	190 [Ω]
	Lead Color and Direction	Gray, Black (Gray ⊕ Open)
Damping Coil	Resistance	370 [Ω]
	Lead Color and Direction	Brown, Blue (Brown ⊕ Open)
Driving Voltage	Close to Open	+3.5 [V] or less
	Open to Close	Over 0.5 [V] (by Magnetism)
Close Down	Iris closes down when the power is cut off and protects Image Sensor from strong light.	

Connector 51021-0400 made by molex

(2) Zooming

- ① Coil Resistance 81[Ω] (25°C)
- ② Driving Voltage 3.0 [V] ~ 5.0 [V]
- ③ Drive Mode PM-Type 2Phase Bi - Polar
- ④ Operational Speed 1.6 [Sec] (500[PPS])
- ⑤ Starting frequency 800[PPS] or less
- ⑥ Connector 53048-0400 made by molex

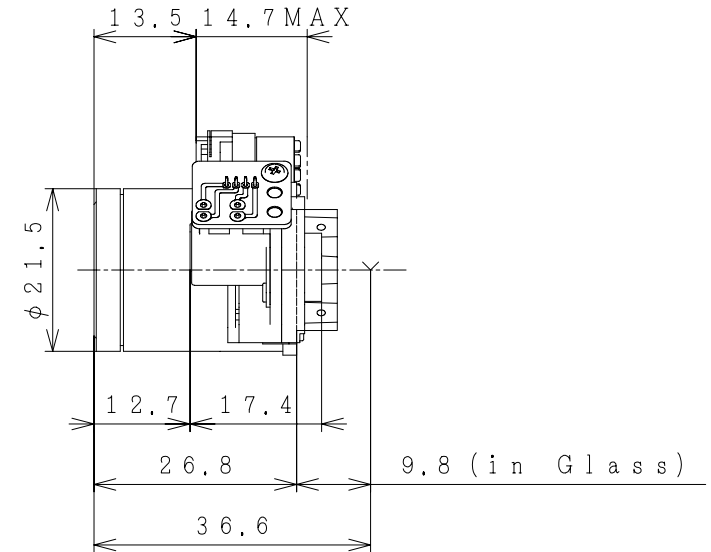
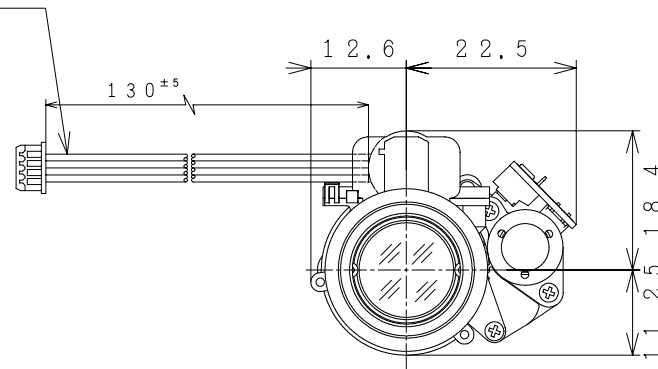
(3) Connection Diagram



The sequence of ① to ④ drives zoom toward telephoto.

3-4. Environmental Temperature Range -10 °C to +50 °C

Connection Lead
AWG30



• O.L.P.F+CCD Cover Glass = 2.91mm (n 1.4978)

SPEC. INFO	40219-S001-000C-B33
	JUL. 15. '04
PENTAX Corporation Security System Division	