



5.6" LCD Test Monitor

SC56

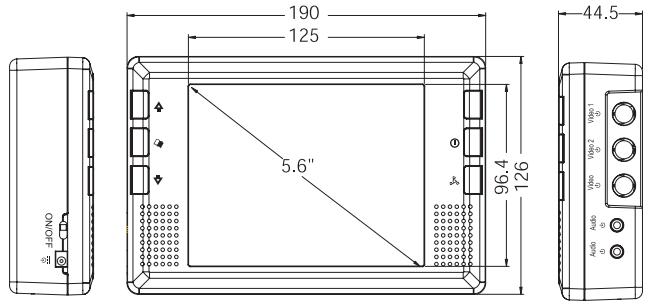
Product Features

- Lightweight & Compact Size
- Resolution 640 × 480 (RGB)
- NTSC/PAL auto recognition
- Two video BNC input and one audio jack input
- Multi-language support OSD
- Carrying Strap and travel case
- Rechargeable battery and AC adaptor
- Ideal for CCTV installation, on-site demonstration and testing
- Last memory for settings when powered off
- Power saving while no signal input





Dimension



SC56 Specification

Model		SC56
LCD panel spec.	LCD display	5.6 Active Matrix TFT LCD"
	Viewable size (HxV)	112.9 x 84.7 mm
	Pixel Pitch (HxV)	0.0588 x 0.1764 mm
	Max. resolution	640 x 480
	Contrast ratio	500 : 1 (Typ.)
	Brightness	200 cd/m2 (Typ.)
	Response time Tr/Tf	10/15 ms (Typ.)
	Display Color	16.7M
	Viewing angle (HxV)	120° / 140°
	MTBF	20,000 hours
Front Control		Power on/off ,Power/Recharge LED Indicator, Source, Up (Volume Increase),Menu(OSD menu), Down(Volume Decrease)
OSD menu	Video	Language, Auto Off, Contrast, Brightness, Color, Tint, Sharpness, Recall
Display mode		Video1, Video 2, Test pattern
Signal connector	Input	BNC x 2 (1.0 Vp-p 75), Audio x 1(3.5 stereo Jack)
	Output	BNC x 1(2.0 Vp-p 75), Audio x 1(3.5 stereo Jack)
Audio speaker		1W (Max.)
Power Input		AC 100~240V, 50/60 Hz
Power Supply		DC 12V / 1.5A
Power Management		VESA DPMS Standard
Stands/bracket supported		1/4"standard screw mount on bottom
Rechargeable battery		Lithium battery (7.4V/2600mAh)
Environment	Operating Condition	Temp.: 0° ~ 40° Hum.: 20% ~ 85%
	Storage Condition	Temp.: -20° ~ 60° Hum.: 20% ~ 85%
Net Weight		0.62 Kg
Gross Weight		1.55 Kg
Dimension (WxHxD)		190 x 126 x 44.5 mm
Safety		FCC,CE,BSMI
Optional	Rechargeable battery	EP-2FC2S1P

*Specifications subject to change without notice.

Test Pattern Generator



Pcking List

- 5.6" TFT LCD monitor x1
- Travel case with carrying and waist strap x1
- AC adaptor x1
- Rechargeable Li-poly battery x1
- 12VDC vehicle cigar lighter charger x1
- 3.5" stereo jack to RCA jack cable x1
- User manual x1

