



# HIKVISION

**DARKFIGHTER**

## DS-2DE4A204IW-DE 2MP Network IR PTZ Camera



Hikvision DS-2DE4A204IW-DE (2.8-12mm) Network IR PTZ Cameras adopt 1/1.9" progressive scan CMOS chip. With the 4× optical zoom lens, the camera offers more details over expansive areas.

This series of cameras can be widely used for wide ranges of high-definition, such as the rivers, forests, roads, railways, airports, ports, squares, parks, scenic spots, stations and large venues, etc.

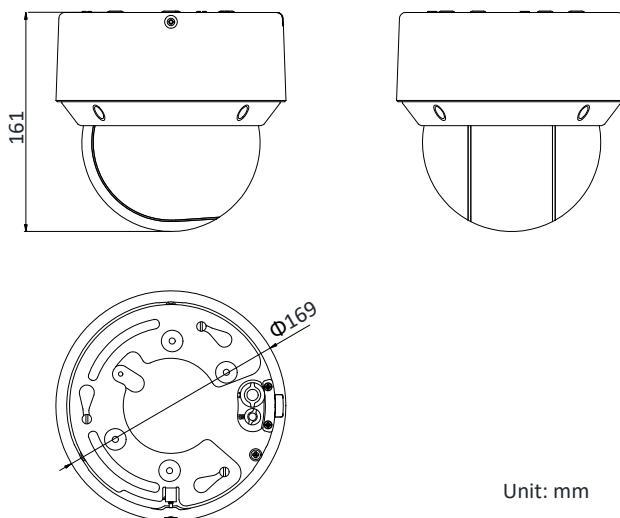
### Key Features

- 1/1.9" Progressive Scan CMOS
- Up to 1920 × 1080 resolution
- Ultra-low light
- 4× Optical Zoom, 16× Digital Zoom
- WDR, 3D DNR, HLC, Smart IR
- Up to 50 m IR distance
- 12 VDC & PoE+ (802.3at, class4)
- Support H.265 video compression

### Order Model

DS-2DE4A204IW-DE (2.8-12mm), 12 VDC & PoE+ (802.3at, class4)

### Dimensions



Unit: mm



[www.hikvision.com](http://www.hikvision.com)

## Specification

Camera Module	
<b>DS-2DE4A204IW-DE 2MP Network IR PTZ Camera</b>	
Image Sensor	1/1.9" progressive scan CMOS
Min. Illumination	Color: 0.002 Lux @(F1.6, AGC ON) B/W: 0.0002Lux @(F1.6, AGC ON) 0 Lux with IR
White Balance	Auto/Manual/ATW (Auto Tracking White Balance)/Indoor/Outdoor/Fluorescent Lamp/Sodium Lamp
AGC	Auto/Manual
Shutter Time	1/1 s to 1/30,000 s
Day & Night	IR Cut Filter
Digital Zoom	16×
Privacy Mask	8 programmable privacy masks
Focus Mode	Auto/Semi-automatic/Manual
3D DNR	Support
BLC	Support
WDR	Support
Regional Exposure	Support
Regional Focus	Support
<b>Lens</b>	
Focal Length	2.8 mm to 12 mm, 4× Optical
Zoom Speed	Approx. 2.2 s (optical lens, wide-tele)
Field of View	90.1° to 31° (wide-tele)
Working Distance	10 mm to 1500 mm (wide-tele)
Aperture Range	F1.5 to F2.8
<b>IR</b>	
IR Distance	Up to 50 m
IR Intensity	Automatically adjusted, depending on the zoom ratio
<b>PTZ</b>	
Movement Range (Pan)	360° endless
Pan Speed	Configurable, from 0.1°/s to 300°/s, Preset Speed: 350°/s
Movement Range (Tilt)	From -5° to 90°
Tilt Speed	Configurable, from 0.1°/s to 160°/s, Preset Speed: 200°/s
Proportional Zoom	Support
Presets	300
Patrol Scan	8 patrols, up to 32 presets for each patrol
Pattern Scan	4 pattern scans, record time over 10 minutes for each scan
Power-off Memory	Support
Park Action	Preset/Pattern Scan/Patrol Scan/Auto Scan/Tilt Scan/Random Scan/Frame Scan/Panorama Scan
PTZ Position Display	ON/OFF
Preset Freezing	Support
Scheduled Task	Preset/Pattern Scan/Patrol Scan/Auto Scan/Tilt Scan/Random Scan/Frame Scan/Panorama Scan/Dome Reboot/Dome Adjust
<b>Features</b>	
Smart Detection	Intrusion Detection, Line Crossing Detection, Region Exiting Detection, Region Entrance Detection
ROI encoding	Main stream, sub-stream and third stream respectively support two fixed areas.

Network	
Max. Resolution	1920 × 1080
Main Stream	50Hz: 25fps (1920 × 1080, 1280 × 960, 1280 × 720) 50fps (1920 × 1080, 1280 × 960, 1280 × 720) 60Hz: 30fps (1920 × 1080, 1280 × 960, 1280 × 720) 60fps (1920 × 1080, 1280 × 960, 1280 × 720)
Sub-Stream	50Hz: 25fps (704 × 576, 640 × 480, 352 × 288) 60Hz: 30fps (704 × 480, 640 × 480, 352 × 240)
Third Stream	50Hz: 25fps (1920 × 1080, 1280 × 960, 1280 × 720, 704 × 576, 640 × 480, 352 × 288) 60Hz: 30fps (1920 × 1080, 1280 × 960, 1280 × 720, 704 × 480, 640 × 480, 352 × 240)
Video Compression	Main Stream: H.265+/H.265/H.264+/H.264 Sub-Stream: H.265/H.264/MJPEG Third Stream: H.265/H.264/MJPEG H.264 with Baseline/Main/High Profile
Audio compression	G.711alaw/G.711ulaw/G.722.1/G.726/MP2L2/PCM
SVC	Support
Protocols	IPv4/IPv6, HTTP, HTTPS, 802.1x, Qos, FTP, SMTP, UPnP, SNMP, DNS, DDNS, NTP, RTSP, RTCP, RTP, TCP/IP, DHCP, PPPoE, Bonjour
Simultaneous Live View	Up to 20 channels
User/Host	Up to 32 users 3 levels: Administrator, Operator and User
Security Measures	User authentication (ID and PW), Host authentication (MAC address); HTTPS encryption; IEEE 802.1x port-based network access control; IP address filtering
System Integration	
Alarm Input	2-ch alarm input
Alarm Output	2-ch alarm output
Alarm Linkage	Alarm actions, such as Preset, Patrol Scan, Pattern Scan, Memory Card Video Record, Trigger Recording, Notify Surveillance Center, Upload to FTP/Memory Card/NAS, Send Email, etc.
Audio Input	1-ch audio input
Audio Output	1-ch audio output
Network Interface	1 RJ45 10 M/100 M Ethernet Interface; PoE+ (802.3at, class4)
Storage	Built-in memory card slot, support Micro SD/SDHC/SDXC, up to 128 GB; NAS (NPS, SMB/ CIPS), ANR
API	Open-ended, support ONVIF, PSIA and CGI, support HIKVISION SDK and Third-Party Management Platform
Client	iVMS-4200, iVMS-4500, iVMS-5200
Web Browser	IE7+, Chrome18+, Firefox5.0+, Safari5.02+
General	
Power	12 VDC and PoE+ (802.3at, class4) Max.: 18 W (IR light 5 W Max.)
Working Environment	Working Temperature: Outdoor: -30°C to 65°C (-22°F to 149°F) Working Humidity: ≤ 90%
Protection Level	IP66 Standard; TVS 4000V Lightning Protection, Surge Protection and Voltage Transient Protection
Dimensions(mm)	Φ 169 mm × 161 mm (Φ6.65" × 6.34")
Weight	Approx. 2.45 kg (5.40 lb)

## Accessories



Wall Mounting Bracket  
DS-1605ZJ



In-ceiling Mounting Bracket  
DS-1671ZJ-SD11



Junction Box  
DS-1280ZJ-SD11



Pendant Mounting Bracket  
DS-1691ZJ-(M)(L)



Network Keyboard  
DS-1100KI



USB Joy-stick  
DS-1005KI