



DS-2DY3220IW-DE / DE4

2 MP Compact Outdoor Network IR PTZ Camera

- 1/2.8" Progressive Scan CMOS
- Up to 1920 x 1080 Resolution
- H.265 Video Compression
- 20x Optical Zoom
- WDR
- 3D Intelligent Positioning
- Up to 330 ft (100 m) IR Distance
- IP66
- POE+ (802.3at), 12 VDC, 19 W



DE Model

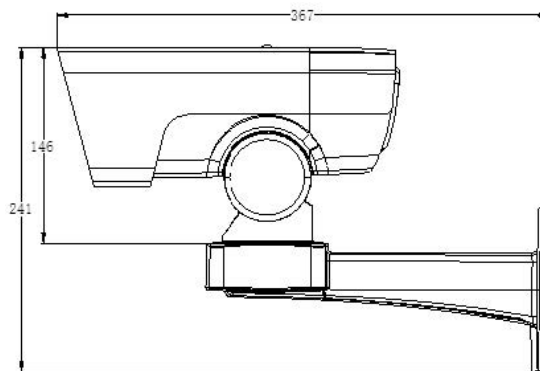


DE4 Model

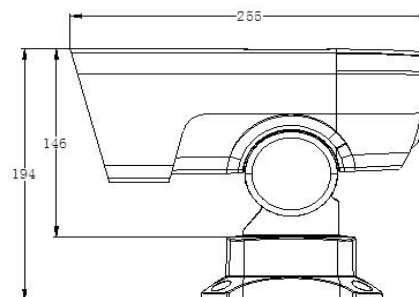
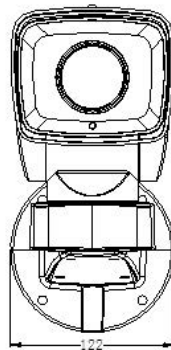
Hikvision DS-2DY3220IW-DE Series Compact Outdoor Network IR PTZ Cameras are capable of capturing high quality images in low light environments. These unobtrusive designs feature feedthrough cabling and are able to capture images in zero lux at an IR distance of up to 330 ft (100m).

These cameras feature 1/2.8" progressive scan CMOS imagers and 2 MP resolution. The 20x optical zoom with true Day / Night lens and 3D positioning provides incredible detail over larger areas where a deterrent camera presence is preferred.

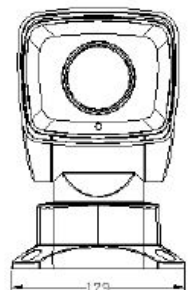
Dimensions

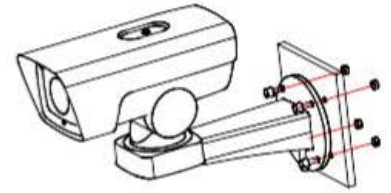
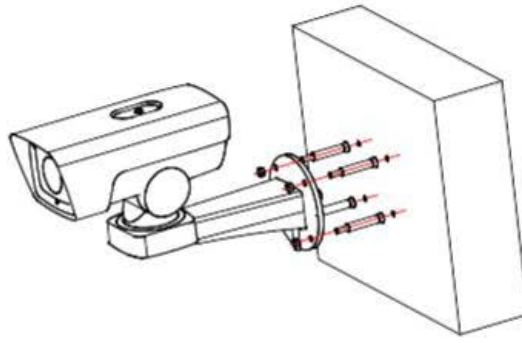


DE Model



DE4 Model





Specifications

DS-2DY3220IW-DE Series	
Camera Module	
Image Sensor	1/2.8" Progressive Scan CMOS
Maximum Image Resolution	1920 x 1080
Minimum Illumination	Color: 0.05 Lux @ (F1.6, AGC ON), B/W: 0.005Lux @ (F1.6, AGC ON), 0 Lux with IR
Day and Night	IR Cut Filter
Focus Mode	Auto/ Semiautomatic/ Manual
Shutter Speed	50 Hz: 1 / 1 to 1 / 30,000 s; 60 Hz: 1 / 1 to 1 / 30,000 s
S/N Ratio	>52 dB
Digital Zoom	16x
White Balance	Auto / manual / ATW / indoor / outdoor / daylight lamp / sodium lamp
AGC	Auto / manual
Lens	
Focal Length	4.7 mm to 94 mm, 20x
Angle of View	58.3° to 3.2° (wide-tele)
Minimum Working Distance	10 mm to 1500 mm (wide-tele)
Aperture Range	F1.6 to F3.5
Image	
Main Stream	50 Hz: 25 fps (1920 x 1080, 1280 x 960, 1280 x 720), 50 fps (1280 x 960, 1280 x 720); 60 Hz: 30 fps (1920 x 1080, 1280 x 960, 1280 x 720), 60 fps (1280 x 960, 1280 x 720)
Sub Stream	50 Hz: 25 fps(704 x 576, 640 x 480, 320 x 288); 60 Hz: 30 fps (704 x 480, 640 x 480, 320 x 240)
Third Stream	50 Hz: 1920 x 1080, 1280 x 960, 1280 x 720, 704 x 576, 640 x 480, 320 x 288; 60 Hz: 1920 x 1080, 1280 x 960, 1280 x 720, 704 x 480, 640 x 480, 320 x 240
Image Compression	H.265 / H.264 (Baseline, Main, High Profile) / MJPEG
Audio Compression	G.711 ulaw / G.711 alaw / G.726 / MP2L2
SVC	Supported
ROI Encoding	Supported
Protocols	IPv4 / IPv6, HTTP, HTTPS, 802.1x, Qos, FTP, SMTP, UPnP, SNMP, DNS, DDNS, NTP, RTSP, RTP, TCP, UDP, IGMP, ICMP, DHCP, PPPoE
Others	Defog, Privacy Mask, 3D DNR, BLC, HLC, WDR
Infrared	
IR Distance	Up to 330 ft (100 m)
IR Intensity	Automatically adjusted, depending on the zoom ratio
Smart IR	Supported
Pan and Tilt	
Movement Range	-DE4: Pan: 360° endless, Tilt: -40° to 30°; -DE: Tilt: -40° to -20°, Pan: 0° to 120° and 240° to 360°; Tilt: -20° to 30°, Pan: 360° endless
Movement Speed	Pan: 0.1° to 60° / s, Tilt: 0.1° to 30° / s
Number of Presets	300
Patrol	8 patrols, up to 32 presets per patrol
Pattern	4 patterns, with the recording time not less than 10 minutes per pattern
Park	Supported
Proportional Zoom	Supported
PTZ Position Display	Off/ On
System Integration	
Menu	English
3D Positioning	Supported
Preset Freezing	Supported
Scheduled Task	Supported
Alarm I/O	1 alarm inputs, 1 alarm output, support for alarm linkage
Alarm Action	Preset / patrol / pattern / SD card recording / aux output / e-map on client
Audio I/O	1/1
Ethernet	1 RJ45 10M/100M Ethernet interface
CVBS Output	1.0 V[p-p] / 75Ω, NTSC (or PAL) composite, BNC
RS485	Half duplex, HIKVISION, Pelco-P, Pelco-D, self-adaptive
Onboard Storage	Built-in microSD / SDXC card slot, up to 128 GB, manual / alarm recording
Number of Simultaneous Live View	20
User / Host Level	Up to 32 users, 3 Levels: administrator, operator, and user
General	
Power	12 VDC and Hi-PoE, maximum: 19 W
Working Temperature	-22° F to 158° F (-30° C to 70° C)
Working Humidity	≤ 90%
Protection Level	IP66 standard, TVS 4000 V lightning protection, surge protection and voltage transient protection
Dimensions	14.45" x 4.80" x 9.49" (367 x 122 x 241 mm) (-DE); 10" x 5.07" x 7.64" (255 x 129 x 194 mm) (-DE4)
Weight	Approximately 6.61 lbs (3 kg)