



DH-IPC-HFW5200-IRA

2Megapixel Full HD Network Water-proof IR-Bullet Camera



ECO-SAVVY

- > Caméra IP Full HD 1920 x 1080 @25/30 im/sec
- > Capteur 1/2.8" 2 megapixels Progressive Scan Exmor
- > Commutation Jour / Nuit par ICR
- > Objectif Varifocale 3.3-12 mm (HFW5200-IRA-3312A)
ou 7-22 mm (HFW5200-IRA-0722A)
- > Super LED matricielles longue portée 50 m (3312A) ou 100 m (0722A)
- > Double Stream H.264 / MJPEG
- > Livrée avec logiciel SmartPSS pour PC
- > Applications gratuites pour iPhone (IOS) et SmartPhone (Android)
- > Stockeur numérique Full HD sur carte SD interne
- > Boîtier étanche IP66 et compact
- > Alimentation POE (802.3at) ou +12VDC direct.

Features

- 1/2.8" 2Megapixel progressive scan Exmor CMOS
- H.264 & MJPEG dual-stream encoding
- 25/30fps@1080P(1920×1080)
- DWDR, Day/Night(ICR), Auto iris, 3DNR,AWB,AGC,BLC
- Multiple network monitoring: Web viewer, CMS(DSS/PSS) & DMSS
- 3.3~12mm varifocal lens, (7-22mm varifocal lens optional)_
- IP66, PoE(802.3at)

HFW5200-IRA

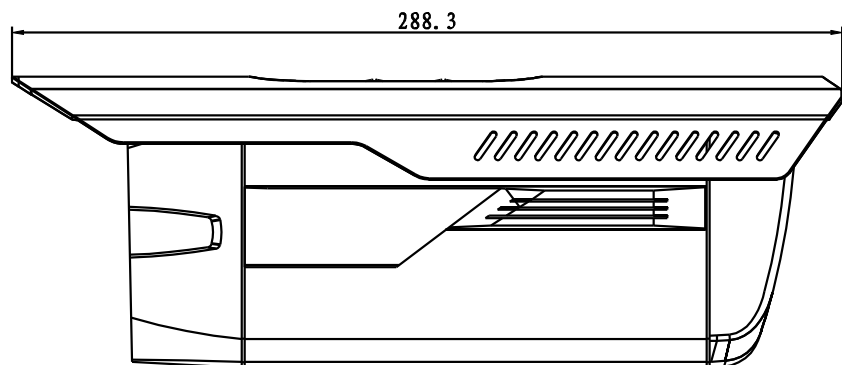
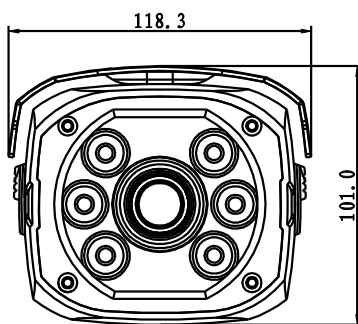
Technical Specifications

Model		HFW5200-IRA-3312A	HFW5200-IRA-0722A
Camera			
Image Sensor	1/2.8" 2Megapixel progressive scan Exmor CMOS		
Effective Pixels	1920(H)x1080(V)		
Scanning System	Progressive		
Electronic Shutter Speed	Auto/Manual, 1/3(4)~1/10000s		
Min. Illumination	0.01Lux/F1.4 (Color), 0Lux/F1.4(IR on)		
S/N Ratio	More than 50dB		
Video Output	1 channel BNC (1.0Vp-p, 75Ω)		
Camera Features			
Max. IR LEDs Length	50m	100m	
Day/Night	Auto(ICR)/Color/B/W		
Backlight Compensation	BLC / HLC / DWDR		
White Balance	Auto/Manual		
Gain Control	Auto/Manual		
Noise Reduction	3D		
Privacy Masking	Up to 4 areas		
Lens			
Focal Length	3.3~12mm	7~22mm	
Max Aperture	F1.4		
Focus Control	Manual		
Angle of View	H: 85° ~36°	H: 41° ~14.1°	
Lens Type	Manual/Auto Iris(DC)		
Mount Type	Board-in Type		
Video			
Compression	H.264/ H.264H/ MJPEG		
Resolution	1080P(1920×1080)/720P(1280×720)/D1(704×576/704×480)/CIF(352×288/352×240)		
Frame Rate	Main Stream	1080P/720P(1 ~ 25/30fps)	
	Sub Stream	D1/CIF(1 ~ 25/30fps)	
Bit Rate	H.264: 32K ~ 8192Kbps		
Audio			
Compression	G.711a/ G.711u/ PCM		
Interface	1/1 channel In/Out		
Network			
Ethernet	RJ-45 (10/100Base-T)		
Wi-Fi	N/A		
Protocol	IPv4/IPv6, HTTP, HTTPS, SSL, TCP/IP, UDP, UPnP, ICMP, IGMP, SNMP, RTSP, RTP, SMTP, NTP, DHCP, DNS, PPPOE, DDNS, FTP, IP Filter, QoS, Bonjour		
ONVIF	ONVIF Profile S		
Max. User Access	20 users		

HFW5200-IRA

Smart Phone	iPhone, iPad, Android, Windows Phone
Auxiliary Interface	
Memory Slot	Micro SD, Max 64GB
RS485	N/A
Alarm	2/1 channel In/Out
PIR Sensor Range	N/A
General	
Power Supply	DC12V, PoE (802.3at)
Power Consumption	Max 16W
Working Environment	-30°C~+60°C, Less than 95% RH
Ingress Protection	IP66
Vandal Resistance	N/A
Dimensions	288.3mm×118.3mm×101mm
Weight	2.5kg

Dimensions (mm)



Accessory (optional)

