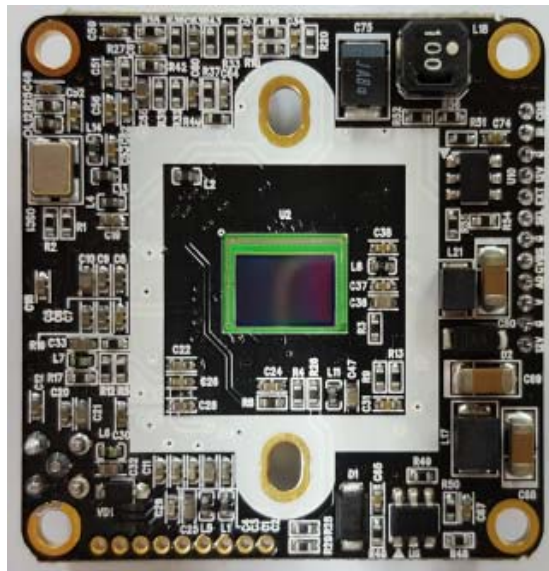




CUSTOMER'S ACCEPTANCE SPECIFICATIONS

MODEL	IM-2732
ITEM	32X32 HD-SDI / EX-SDI COLOR CAMERA



Drafting	Examination	Decision

Record of Revision

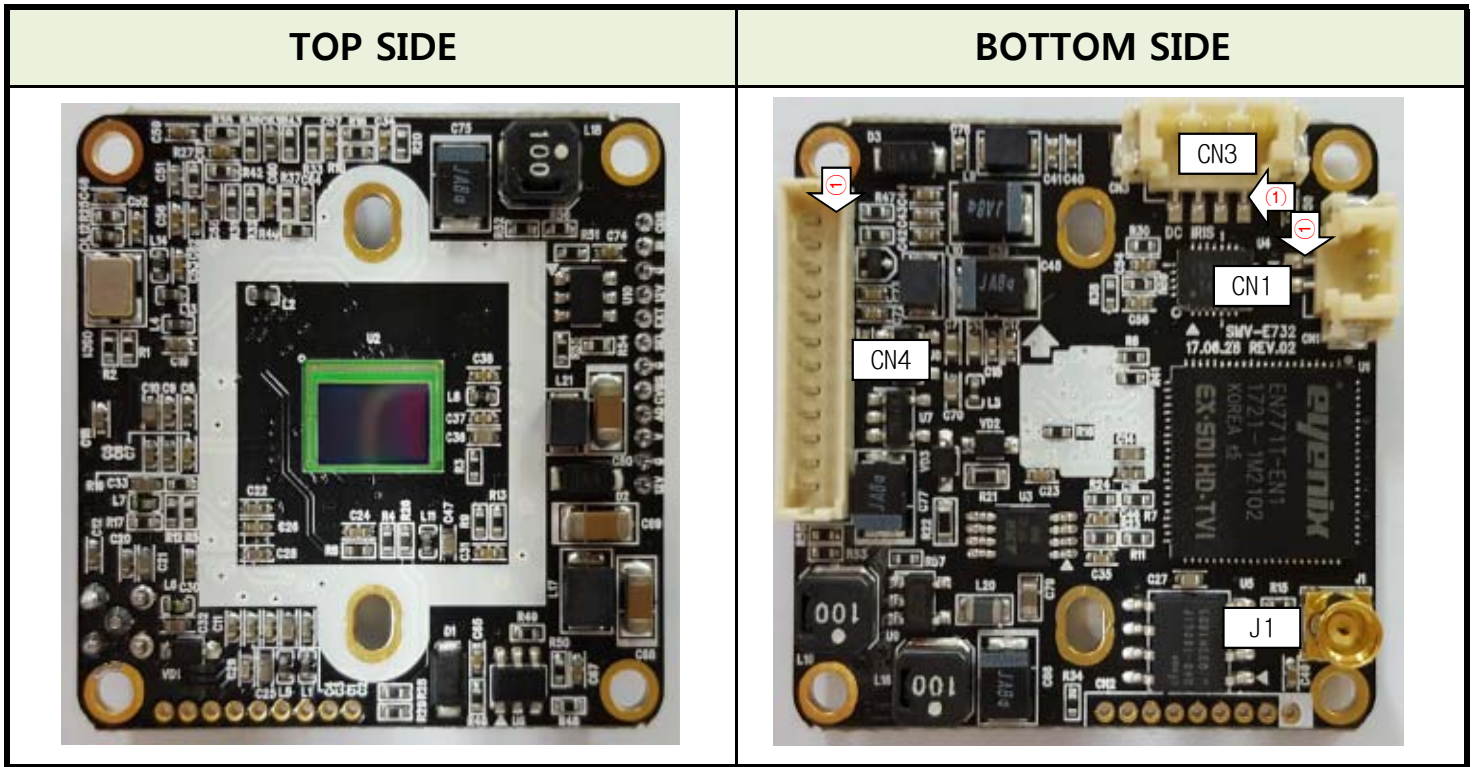
Revision	Date	Description of Revision
0.0	2017.08.10	Establishment

Specifications

Item	IM-2732
Imaging Sensor	1/2.9" 2.1Megapixel COMS
Scanning System	Progressive Scan
Number of effective pixels	1985(H) X 1105(V) = 2,19M(pixel)
Total number of pixels	2001(H) X 1121(V) = 2,24M(pixel)
S/N Ratio	More than 50dB
Video Output Mode	1080P(1920 X 1080) 25P/30P
Video Output Level	HD-SDI / EX-SDI1.0 / EX-SDI2.0 Selectable
Min. Illumination	1.0Lux(Color) , 0.5Lux(BW) , 0.02Lux(Sens-up x32)
O.S.D	Built-in
Electronic Shutter Speed	AUTO / FLICKER / MANUAL
	(NTSC : 1/30sec ~ 1/30,000sec) (PAL : 1/25sec ~ 1/25,000sec)
AGC	0 ~ 10 Step
Sens-up	OFF / x2 / x4 / x8 / x16 / x32
ACE	OFF / LOW / MIDDLE / HIGH
DEFOG	ON / OFF
Backlight Compensation	WDR / BLC / HLC / OFF
COLOR(White Balance)	AUTO / AUTOext / PRESET / MANUAL
Day & Night	AUTO / COLOR / BW / EXTTRN
DNR	OFF / LOW / MIDDLE / HIGH
FOCUS ADJ	On / Off
Motion Detection	On / Off (4 ZONE)
Privacy Masking	On / Off (16 ZONE)
Language	ENGLISH / CHINESES(简) / CHINESES(繁) / JAPANESE / KOREAN
Operating Temp.	-15°C ~ 60°C
Storage Temp.	-20°C ~ 65°C
Supplied Voltage	DC12 ±10%
Power Consumption	Max. 1.32W[110mA]
Dimension	32(W)X32(H)X1.2(t)mm
Weight	8g

Function Menu				
IRIS	■ ALC	■ ELC		
FOCUS ADJ	■ OFF	■ ON		
EXPOSURE	■ BRIGHTNESS	■ SHUTTER	■ SENS-UP	■ AGC
BACK LIGHT	■ OFF	■ BLC	■ HLC	■ WDR
DAY & NIGHT	■ COLOR	■ AUTO	■ EXTERN	■ B/W
COLOR	■ AWB	■ COLOR GAIN	■ MAIN OUTPUT	
NR	■ OFF	■ LOW	■ MIDDLE	■ HIGH
IMAGE	■ SHARPNESS	■ GAMMA	■ MIRROR	■ FLIP
	■ ACE	■ DEFOG	■ PRIVACY	
MOTION	■ OFF	■ ON		
SYSTEM	■ OUTPUT	■ FRAME RATE	■ FREQ	■ COM.
	■ IMAGE RANGE	■ COLOR SPACE	■ COLOR BAP	■ LANGUAGE
	■ CAM TITLE	■ RESET		
EXIT	■ SAVE	■ CANCEL		

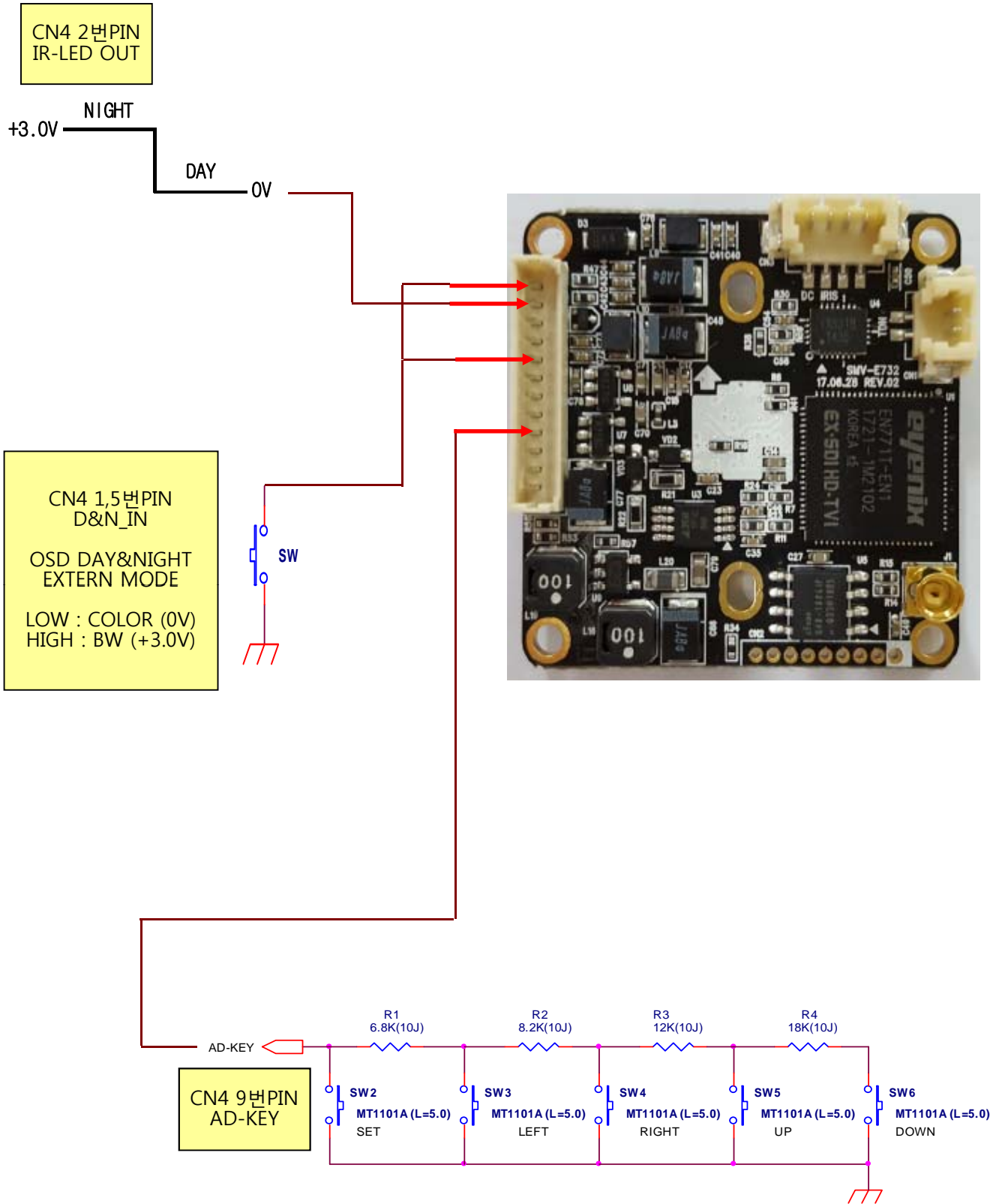
Input-Output Signal



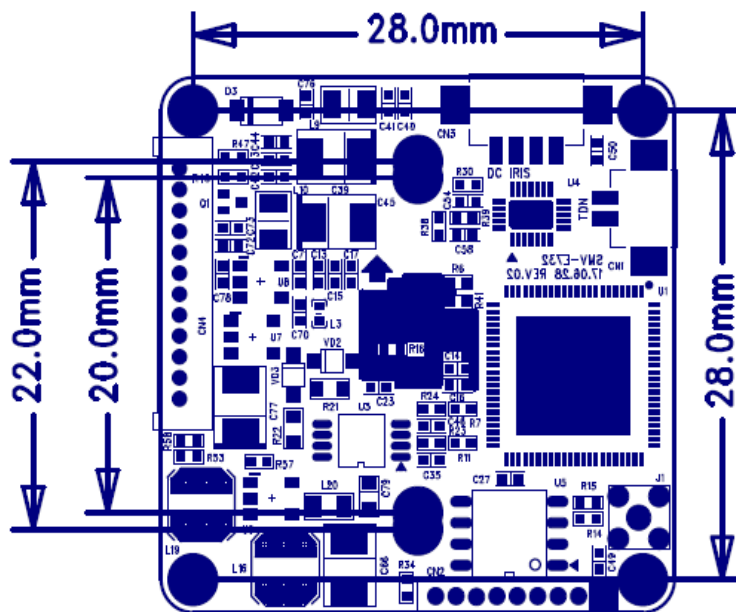
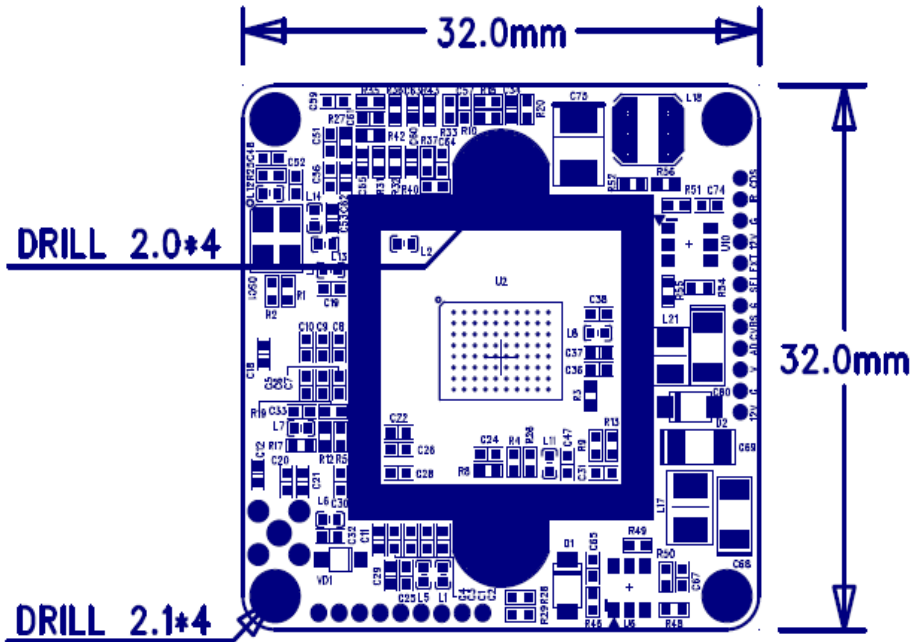
CN4 (12 PIN) (12512WS-12)			CN3 (2 PIN) (12505WS-04)			CN1 (2 PIN) (12505WS-02)			J1 (MMCX)		
1	D&N_IN (H:BW,L:COLOR)	IN	1	DMP+	OUT	1	MOTOR_OUT2	OUT	1	HD-SDI / EX-SDI	OUT
2	IRLED-OUT	OUT	2	DMP-	OUT	2	MOTOR_OUT1	OUT			
3	GND	-	3	DRV+	OUT						
4	+12V	IN	4	DRV-(GND)	-						
5	D&N_IN (H:BW,L:COLOR)	IN									
6	NC	-									
7	GND	-									
8	VIDEO_EXT (CVBS)	OUT									
9	AD_KEY	IN									
10	VIDEO (AHD/TVI/CVBS)	OUT									
11	GND	-									
12	+12V	IN									

CONNECTOR WAFER : MOLEX & YEONHO

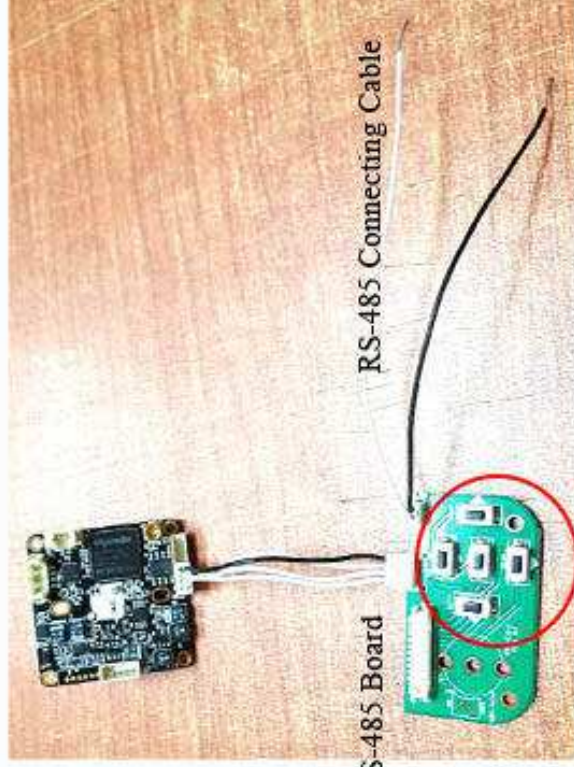
Application



Dimension



IM-2732 With ICR Filter



The OSD Button does not work.

