



NEW

IPM07HD

IP Multi-format Test Monitor

IPM07HD provides easy installation and maintenance of various systems such as IP, HDMI, AHD, TVI, CVI, 3G-SDI, HD-SDI, EX-SDI, CVBS by a sole user, making it possible to do video monitoring, camera PTZ control, camera network setting, etc. In addition, IPM07HD not only provides DVR side test by having HD (Digital) input & output ports, but also measures signal and focus status more accurately with the built-in level/focus meters including HD-analog signals.

Features

- IPS 7 inch (1280x800) TFT-LCD Panel (LED Back Light)
7 inch wide and capacitive touch screen
- Optical Bonding for convenient outdoor use -> Clear view under the direct rays of the sun, waterproof screen, dampproof, dustproof
- Anti-finger coating for convenient use of the touch screen
- Various Input signal: IP, HD/EX/3G-SDI, AHD, TVI, CVI, CVBS, HDMI
- HD (Digital) output port is provided.(1080p 60)
- PoE (Max. 30W), PoC (Max. 10W)
- PoC function is available for supported cameras only
- Cable connection status check
- Power supply to camera (Max. DC12V / 500mA)
- Video recording, snapshot and playback is available.
※ Supported file format : MP4 -> Playback is available on PC.
- 1) IP App : Auto Discovery, Camera Settings, Video view, Ping test, PTZ control, Snapshot, Record etc.
(Device Type : ONVIF, RTSP, MJPEG / Requested custom protocol addition is possible.)
- 2) Viewer App : HD/EX/3G-SDI, AHD, TVI, CVI, CVBS, HDMI in
- RS-485 control (PELCO-D/P, Samsung, Panasonic, Lilin, Yann, etc.)
- UTC (Up The Coax Communication) Function for AHD, TVI, CVI, CVBS.
- Signal Level Meter, Focus Meter, CRC Check function for HD-SDI/3G-SDI/EX-SDI
- Signal Level Meter, Focus Meter for AHD/TVI/CVI/CVBS (World 1st)
- Support WIFI & Blue Tooth connection for wireless networking.
- Constant update for applications through SeeEyes App.

Live Video of SC-IPM07HD



Specifications

MODEL		SC-IPM07HD		
LCD	Display Resolution	1280(H) X (R,G,B) X 800(V)		
	Size	7 inch		
	Pixel Pitch	0.117mm(H) X 0.177mm(V)		
	Brightness (Cd)	400 Cd/m ²		
	Viewing Angle	89°(H) / 89°(V)		
	Response Time	11ms		
Video	Input	HDMI	~1080p 60	
		HD-SDI	1.485Gbps~2.970Gbps	
		HD Analog	AHD/TVI/CVI 1.0(720p) , AHD/TVI/CVI 2.0(1080p),	UTC
		Analog	CVBS NTSC/PAL	COAX communication
	Output	LAN	10/100Mbps - IP camera&PoE	
Measurement	HD-SDI / HD Analog	S.Level Meter/Focus Meter A,F Level Meter/ Focus Meter		
	Power	Input	DC 12.6V(Exclusive Adaptor)	
		Output	≈ DC 12V 500mA (Power through USB: ~5V)	
Battery (Surge protection circuit built-in)	Li-Polymer: 11.1V, 2200mAh x 2			
Temperature / Humidity	0°C ~ +50°C / 0% ~ 80%			
Case / Weight	PCABS/ 1kg			
Dimensions (mm)	246(W) X 160(H) X 49.9(D)			



■ Adjusting the camera angle at the elevator ■ Adjusting the camera angle at the parking lot

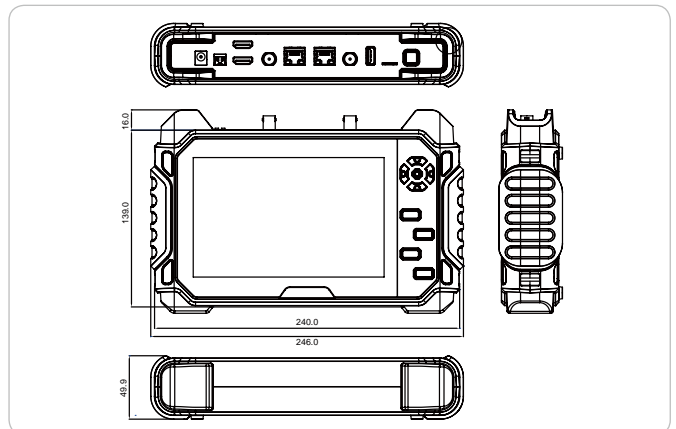
Components



Connection Diagram



Dimensions



VIDEO CONTROL SYSTEM

