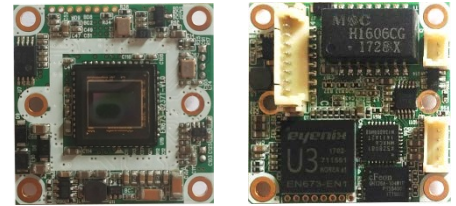
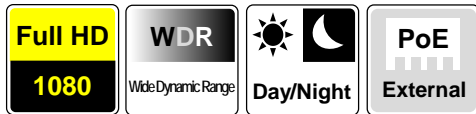




Full HD(1080p) Mini IP BOARD CAMERA



- ✓ 2.3MP 1/2.8" CMOS Sensor
- ✓ High quality image with True WDR
- ✓ All in one board (28mm x 28mm)
- ✓ Digital Day&Night, DNR, Anti-Fog

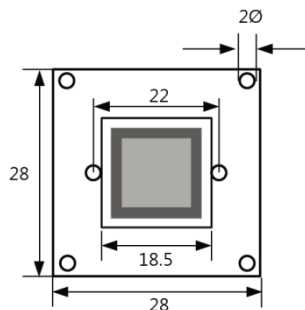


Model : [LIP-M201BD](#)

Features

- Full HD (1080p) IP Network Board
- 1/ 2.8" 2.3MP Progressive CMOS sensor
- H.264 / MJPEG Triple Streaming
- Min. Illumination: 0.05Lux@F1.4
- WDR, TDN, AGC, BLC, HLC, DNR, Anti-Fog
- Motion Detection / Privacy Zone
- 28x28 one IP board
- DC12V
- ONVIF Profile S Compliant

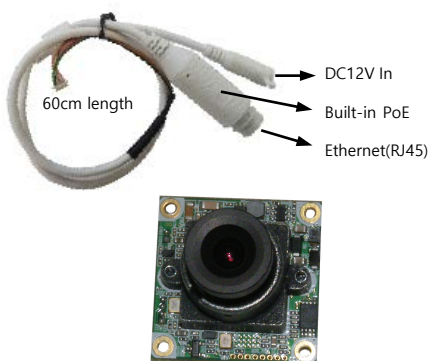
Dimension(mm)



Specifications

Camera	
Image Sensor	1/2.8" Progressive Scan CMOS Sensor (AR0237)
Min. Illumination	0.05 Lux @ F1.4
Lens Type	3.7mm Fixed(2.9mm, 4.3mm, 6mm, 8mm available)
Shutter Speed	1/25 ~ 10,000sec
Motion Detection	Yes
Privacy Zone	Yes
Image Enhancement	AE, AWB, WDR, DNR, AGC, Brightness, Contrast, Sharpness, Day & Night, Anti-Fog Control
Video	
Video Compression	H.264, MJPEG (H.264 Baseline/Main Profile@Level 4.1)
Streaming	Primary: H.264(1920x1080)
	Secondary : H.264(640x480, 320X240), MJPEG(1920X1080)
Resolution & Frame Rate	Main : H.264/25fps@1080p Secondary : H.264/25fps@VGA or MJPEG: 5fps@1080p
Bit rate / Control	512Kbps ~ 10Mbps / CBR, VBR
Network	
Support Protocol	TCP/IP, UDP, IPv4, HTTP, DNS, NTP, IGMP, RTP/RTSP, DHCP, WS-Discovery, ONVIF
3 rd Party Integration	Onvif Profile S 2.4, CGI
Web Access Control	Multi user level protection, 4 Multiple Client Accessible
Interface	
Ethernet	10/100-Base-T Ethernet (Auto-Sensing)
Audio	Built-in Microphone
GENERAL	
Dimensions	28mm x 28mm
Power Source	DC12V/250mA
Operating Temp.	0°C ~ 50°C
Operating Humidity	90% or less

Cable(Power & Data)



Model

Picture	Model	Description
	LIP-M201BD37PE	-3.7mm fixed lens (2.9mm/4.3mm/6mm available) -Dual Power(DC12V, PoE)
	LIP-M201BDP37PE	-3.7mm fixed pinhole lens (4.3mm available) -Dual Power(DC12V, PoE)