



## SD50/52C220I-HC

---

2Mp Full HD 20x Ultra-high Speed HDCVI PTZ Dome Camera



### Features

- 20x optical zoom
- Max 20/30fps@1080P, 50/60fps@720P resolution
- DWDR, Day/Night(ICR), Ultra DNR, Auto iris, Auto focus
- Max 500°/s pan speed, 360° endless pan rotation
- Control over coaxial cable, long distance real-time transmission
- HD and SD switchable
- Up to 300 presets, 5 auto scan, 8 tour, 5 pattern
- Built-in 2/1 alarm in/out
- Support intelligent 3D positioning with DH-SD protocol
- IP67(outdoor), IK10, OSD

# SD50/52C220I-HC

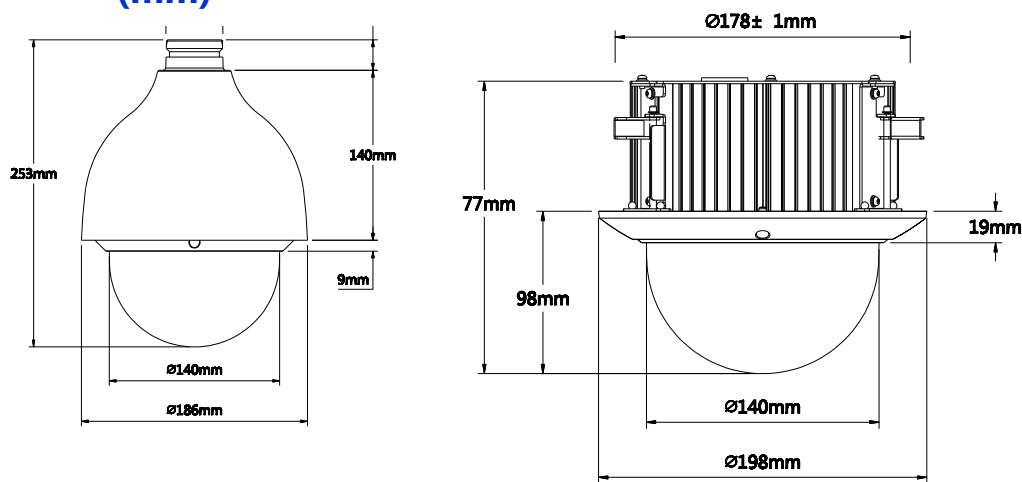
## Technical Specifications

Model	DH-SD50220I-HC	DH-SD52C220I-HC
<b>Camera</b>		
Image Sensor	1/2.8" Exmor CMOS	
Effective Pixels	1920(H) x 1080(V)	
Horizontal Resolution	≥1000TVL	
Scanning System	Progressive	
Electronic Shutter Speed	1/1 ~ 1/30,000s	
Min. Illumination	Color: 0.05Lux@F1.4; B/W: 0.005Lux@F1.4;	
S/N Ratio	More than 50dB	
Resolution	25/30fps@1080P, 25/30/50/60fps@720P	
Video Output	1-channel BNC HDCVI high definition video output/ CVBS standard definition video output (Can switch)	
<b>Camera Features</b>		
Day/Night	Auto(ICR) / Color / B/W	
Backlight Compensation	BLC / HLC / DWDR (Digital WDR)	
White Balance	Auto, ATW, Indoor, Outdoor, Manual	
Gain Control	Auto / Manual	
Noise Reduction	2D/3D	
Privacy Masking	Up to 24 areas	
Digital Zoom	16x	
<b>Lens</b>		
Focal Length	4.7mm~94mm (20x Optical zoom)	
Max Aperture	F1.4~ F2.6	
Focus Control	Auto / Manual	
Angle of View	H: 54.1° ~ 3.2°	
Close Focus Distance	100mm ~ 1000mm	
<b>PTZ</b>		
Pan/Tilt Range	Pan: 0° ~ 360° endless; Tilt: -10° ~ 90°, auto flip 180°	
Manual Control Speed	Pan: 0.1° ~350° /s; Tilt: 0.1° ~250° /s	
Preset Speed	Pan: 500° /s; Tilt: 500° /s	
Preset	300(DH-SD), 255(Pelco-P/D)	
PTZ Mode	5 Pattern, 8 Tour, Auto Pan, Auto Scan	
Speed Setup	Human-oriented focal length/ speed adaptation	
Power up Action	Auto restore to previous PTZ and lens status after power failure	
Idle Motion	Activate Preset/ Scan/ Tour/ Pattern if there is no command in the specified period	
Protocol	DH-SD, Pelco-P/D (Auto recognition)	
<b>Audio</b>		
Interface	1 channel In	
<b>Auxiliary Interface</b>		

# SD50/52C220I-HC

RS485	1	
Alarm	2/1 channel In/Out	
<b>General</b>		
Power Supply	AC24V/ 1.5A	
Power Consumption	10W, 19W (Heater on)	10W
Working Environment	-40°C ~ 70°C / Less than 90% RH	-20°C ~ 60°C / Less than 90% RH
Ingress Protection	IP67, IK10	IK10
Dimensions	Φ186.0(mm) x 253(mm)	Φ198(mm) x 177(mm)
Weight	2.5Kg	2.2Kg

## Dimensions (mm)



## Accessories

DH-PFB300S	DH-PFA110	Power Supply

## Accessories (Optional)

DH-PFB300C	DH-PFA112	DH-PFA113
DH-PFA120	DH-PFA150	DH-PFA151