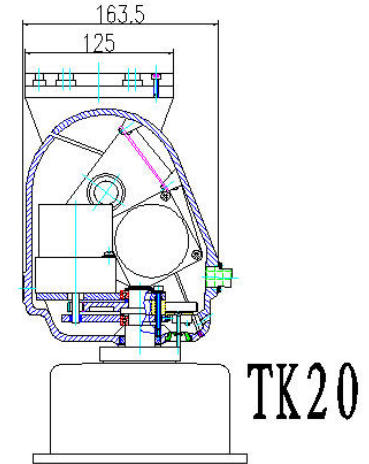
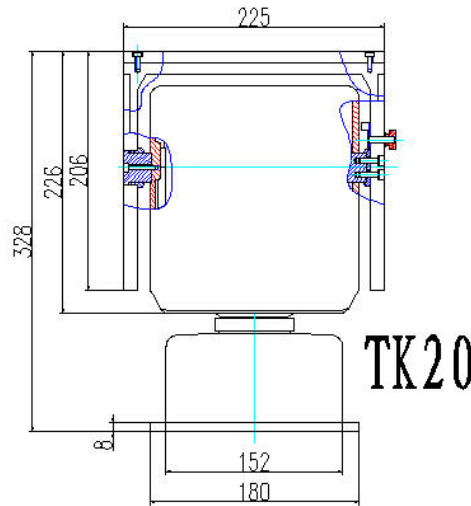
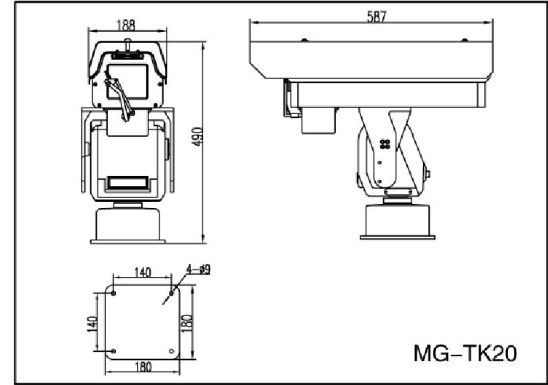




Tourelle extérieure pour charges lourdes (360° Panning) - TK20P Series



Présentation:

- Rotation continue 360° sans butée
- Récepteur de télémétrie multi protocoles intégré (dont PelcoD / PelcoP)
- Vitesses variables asservies de 0 à 40°/seconde
- 128 prépositions mémorisables avec accès à la cible par le chemin le plus rapide
- Option alimentation DC sur demande
- Protection des frontières; Aéroports; Zone portuaires; Autoroutes; etc ...

Mechanical/Electrical

Model No.	MG-TK20P
Pan speed	0-40°/s
Tilt speed	0-5°/s
Pan angle	360°
Tilt angle	-40°~+90°
Preset position	128 positions
Tour	6 patrouilles automatiques sur suivi de presets
Communication	Multi-protocol, Baud rate from 2400bps to 19200bps for optional, RS485 control
Protection grade	IP66
Work temperature	-35°C~+55°C ; Humidity less than 98%
Power supply	AV24V / AC110V / AC220V / 30VDC & 12 VDC (options). Consommation <70W
Charge maxi	15Kg par grand vent - 20 Kg sans vent

Protocol type	Communicate				Baud rate	
	DIP-1	DIP-2	DIP-3	DIP-4	DIP-5	DIP-6
B01	ON	OFF	OFF	OFF	OFF	ON
Santachi	OFF	ON	OFF	OFF	OFF	ON
PELCO-D	ON	ON	OFF	OFF	OFF	OFF
PELCO-P/4800	OFF	OFF	ON	OFF	ON	OFF
PELCO-P/9600					OFF	ON
PANASONIC	ON	OFF	ON	OFF	OFF	ON
Longcomity	OFF	ON	ON	OFF	OFF	ON
HUNDA600	ON	ON	ON	OFF	OFF	ON
LILIN	OFF	OFF	OFF	ON	OFF	ON
VICON	ON	OFF	OFF	ON	ON	OFF
MOLYNX	OFF	ON	OFF	ON	OFF	ON
KALATEL	ON	ON	OFF	ON	ON	OFF
VCL	OFF	OFF	ON	ON	OFF	ON
Reserved	ON	OFF	ON	ON	OFF	ON
ALEC	OFF	ON	ON	ON	OFF	ON
Ultrak	ON	ON	ON	ON	OFF	ON

Dial switch position	1	2	3	4	5	6
2400bps					OFF	OFF
4800bps					ON	OFF
9600bps					OFF	ON
19200bps					ON	ON

