



# Caméra Sous-Marine PTZ Motorisée

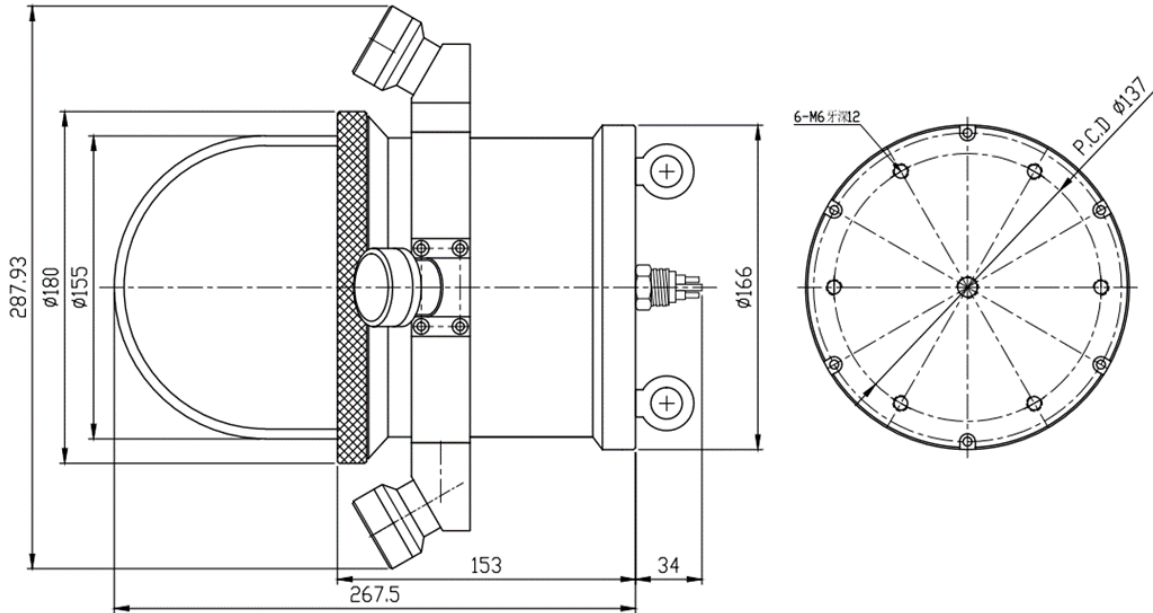


- Caméra sous-marine motorisée en site, azimut et zoom
- Profondeur maxi 100 mètres
- Liaison data / image + alim sur un seul cordon réseau
- Projecteurs en option
- Alimentation DC ou PoE

Réf. **UDC-DN200**

**iP ONVIF**

**Full HD**  
1920x1080



Model No.	UDC-DN200
Image Sensor	1/2.8"progress Scan CMOS
Resolution	1920 x 1080
Signal to noise ratio	>50dB (AGC off )
Electronic shutter	1-1/10,000s
Horizontal view angle	58.3-3.2 degrees (wide-angle telescope)
Movement range	Pan 360° ( endless ) Tilt 180°
Optical zoom	18X
Sensitivity	Color: 0.05Lux @ (F1.6, AGC ON) BW: 0.01Lux @ (F1.6, AGC ON)
Resolution and frame rate	50Hz:25fps(1920×1080)、25fps(1280×720) 60Hz:30fps(1920×1080)、30fps(1280×720)
Video compression	H.265/H.264/MJPEG
LED Light Source	4pcs*3watt
Camera Size	Φ287.93*267.5mm
Connector	MCBH2M
Working Temperature	-10□ ~ 50□
Working Depth	100 meter
Interface type	RJ45
Power supply	48V
Window	Optical acrylic
Housing	SS316 ( Aluminum 6061-T6 )
Weight in Air	10KG (ss 316 )



Injecteur PoE

Item	PLC network receiver
Power input	AC85V-245V 50/60HZ
Power output	DC48V
Max current	1.2A
Max capacity	220W
Speed	200Mbps
Max distance	600M
Network port	1*RJ45
Standard	IEEE802.11a IEEE802.3u IEEE802.3ab
Compatibility	200Mbps 300Mbps
Cable required	>2 x 0.5²
Shell material	ABS
Operating temperature	-20°C+40°C
Operating humidity	10%-90%RH
Operating frequency	1.8-30MHZ
Dimension	125 x 60 x40mm