

V21

1-Channel 960H/D1 H.264 Video Encoder



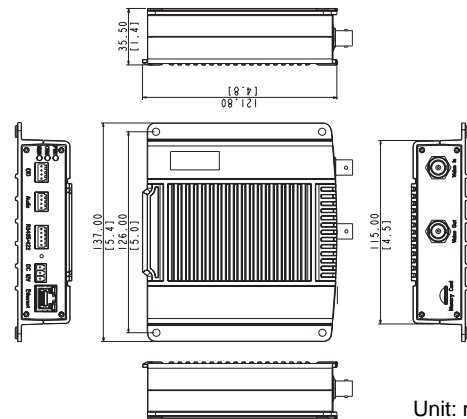
- 25/30 fps at full D1 resolution
- Selectable H.264 HP, MJPEG compressions
- Two-way audio
- Video motion detection
- Digital input and digital output
- Serial ports for PTZ control
- Analog video output

PHOTO INDICATION



- | | | |
|-----------------------|--------------------------|-----------------------|
| ① Memory Card Slot | ⑤ Serial Port LED | ⑨ Serial Port Input & |
| ② Analog Video Output | ⑥ Video LED | ⑩ Reset Button |
| ③ Analog Video Input | ⑦ Digital Input / Output | ⑪ DC 12V Power Input |
| ④ Power LED | ⑧ Audio Input / Output | ⑫ Ethernet Port |

DIMENSION DIAGRAM



Unit: mm [inch]

PRODUCT SPECIFICATION

V21

• Device

Device Type	Video Encoder
Number of Channels	1

• PTZ

Protocol	Pelco-D, Pelco-P, Dynacolor
Control	Remotely manual control; 32 preset points

• Video

Compression	H.264 HP, MJPEG
Max. Frame Rate vs. Resolution	30 fps at 960 x 480 (NTSC); 25 fps at 960 x 576 (PAL) 30 fps at 720 x 480 (Full D1, NTSC); 25 fps at 720 x 576 (Full D1, PAL)
Multi-Streaming	Simultaneous dual streams based on two configurations
Bit Rate	28 Kbps - 6 Mbps (per stream)
Bit Rate Mode	Constant, Variable
Image Enhancement	Brightness; Saturation; Contrast; Sharpness
Privacy Mask	4 regions
Text Overlay	User defined text on video
Image Orientation	Image flip; image mirror

• Audio

Compression	8 kHz, Mono, PCM, 16 bit encoding, G.711
Audio-In	1, terminal block
Audio-Out	1, terminal block

• Network

Protocol & Service	TCP, UDP, HTTP, HTTPS, DHCP, PPPoE, RTP, RTSP, IPv6, DNS, NTP, ICMP, ARP, IGMP, SMTP, FTP, UPnP, SNMP, Bonjour
Ethernet Port	1, Ethernet (10/100 Base-T), RJ-45 connector
Security	IP address filtering; HTTPS encryption; Password protected user levels; Anonymous login

• Alarm

Alarm Trigger	Video motion detection (3 regions); External device through digital input; Scheduler in minutes; System reboot and booting successfully
Alarm Response	Command other devices; E-mail notification with snapshots; Save video or snapshot to local storage, Upload video or snapshot to FTP server; Activate external device through digital output; Change motion detection profile

• Interface

Analog Video Input	1, CVBS, 1.0Vp-p with 75Ω BNC connector
Analog Video Output	1, CVBS, 1.0Vp-p with 75Ω BNC connector
Digital Input	1, terminal block
Digital Output	1, terminal block
Serial Port	1, RS-485/RS-422, terminal block
Local Storage	MicroSDHC/MicroSDXC memory card slot (card not included)

• General

Power Source / Consumption	PoE Class 3 (IEEE802.3af) / 3.36W DC 12V (DC 7V~20V, adapter not included) / 3W
Weight	442 g (0.977 lb)
Dimensions (W x H x D)	137 mm x 35.5 mm x 121.8 mm (5.4" x 1.4" x 4.8")
Operating Temperature	-10°C ~ 50°C (14°F ~ 122°F)
Operating Humidity	10% ~ 85% RH
Approvals	CE (EN 55022 Class B, EN 55024), FCC (Part15 Subpart B Class B)

• Integration

Unified Solution	Fully compatible with ACTi software
ISV Integration	Software Development Kit (SDK) available; ONVIF compliant
Firmware Access Browser	Microsoft Internet Explorer 8.0 or newer (full functionality) Safari with QuickTime installed, and other browsers with VLC installed (partial functionality)

* Local storage and ONVIF compliance will be available in Q4, 2014.