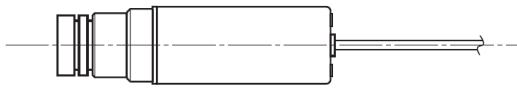
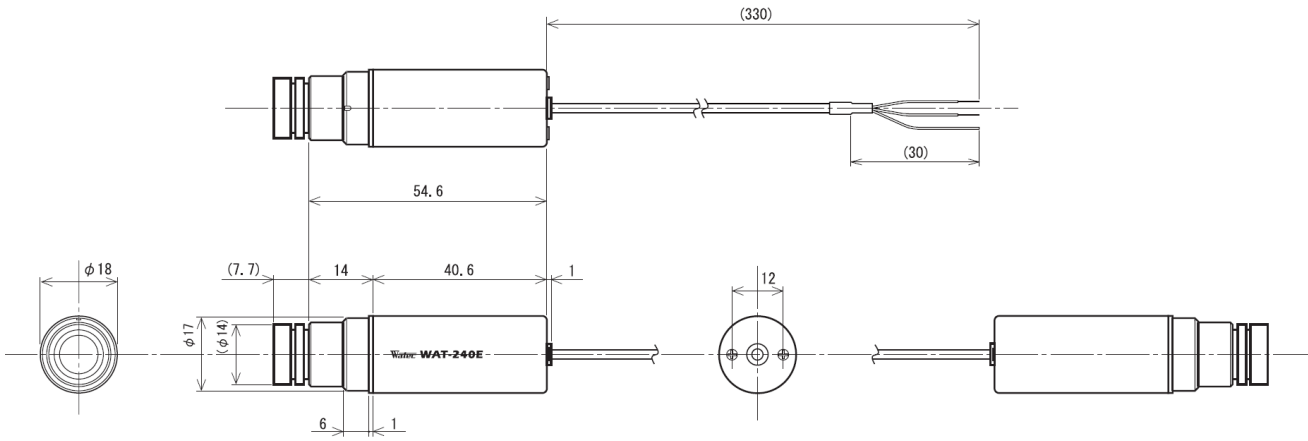


Model		WAT-240 VIVID (PAL)	WAT-240E (PAL)
Pick-up Element		1/4 inch interline transfer CCD image sensor	1/4 inch C-MOS image sensor
Number of Total Pixels		795(H) × 595(V)	652(H) × 504(V)
Number of Effective Pixels		752(H) × 582(V)	648(H) × 488(V)
Unit Cell Size		4.9μm(H) × 5.6μm(V)	5.6μm(H) × 5.6μm(V)
Imaging system		Ye, Cy, Mg, and G complementary color mosaic filters on chip	RGB bayer array mosaic filters on chip
Synchronizing System		Internal	
Scanning System		2:1 interlace	Progressive
Video Output		Composite video, 1.0 V(p-p) 75Ω (Unbalanced)	
Resolution (H)		More than 450TVL (Center)	More than 480TVL (Center)
Minimum illumination		0.7 lx. F2.0	0.3 lx. F2.0(AGC ON=42dB)
S/N		More than 50dB (AGC=6dB, γ=1.0)	More than 52dB (AGC=0dB, γ=1.0)
AE MODE	EI	1/50~1/100000 sec	
	Fixed	1/50, 1/120, 1/250, 1/1000, 1/2500, 1/5000, 1/10000, 1/20000, 1/50000, 1/100000sec	—
White Balance		ATW (2500K~9500K)	ATW (2500K~9000K)
AGC		6~30dB	0~42dB
Gamma Characteristics		γ≒0.45	
Back Light Compensation		ON	
Power Supply		DC+6V±10%	DC+5.0~6.6V
Power Consumption		0.99W (165mA)	(T.B.D)
Operating Temperature		-10 ~ +50°C	
Storage Temperature		-30 ~ +70°C	
Operating/Storage Humidity		Less than 95% RH (Without condensation)	
Lens mount		M13 P=1.0	M12 P=0.5
Standard Lenses		G3.8(Glass f3.8 F2.0) / P3.7(Pinhole f3.7 F4.5)	G3.8(Glass f3.8 F2.0)
Weight		Approx. 27g (G3.8)	(T.B.D)

※Design and specifications are subject to change without notice.

DIMENSIONS(mm)

WAT-240E



WAT-240VIVID

