



# XM Series Zoom Module

**XM-3600**  
**XM-3000**  
**XM-300**  
**XM-200**  
**XM-100**



## Key Features

- 2MP Progressive Scan CMOS sensor
- LVDS, AHD, TVI, EX-SDI and Analog
- Optical x10, x20, x30, x36 & Digital x12
- Auto ICR, WDR, Defog
- Privacy Zone Masking, Motion Detection
- VISCA, Pelco-D/P

XM series zoom modules : low light sensitive XM-3600, XM-3000 and 1080p XM-300, XM-200, XM-100.

Low light sensitive zoom modules incorporate a 1/1.9 type CMOS sensor which provides Full HD video with superb colour at night.

1080p zoom modules support x30, x20, x10 optical zoom and x12 digital zoom respectively.

	XM-100	XM-200	XM-300	XM-3000	XM-3600
<b>Image Sensor</b>	1/2.8" Panasonic CMOS			1/1.9" Sony Exmor CMOS	
<b>Zoom Ratio</b>	Optical x10, Digital x12	Optical x20, Digital x12	Optical x30, Digital x12	Optical x30, Digital x12	Optical x36, Digital x12
<b>Focal Length</b>	5.1 ~51.0 mm	4.7 ~ 94. 0 mm	4.4 ~132 .0 mm	6.0 ~180.0 mm	6.0 ~216 .0 mm
<b>Aperture Ratio</b>	F1.6 (WIDE) ~ F1.8 (TELE)	F1.6 (WIDE) ~ F3.5(TELE)	F1.4 (WIDE) ~ F 4.6 (TELE)	F1.5 (WIDE) ~ F 4.3 (TELE)	F1.5 (WIDE) ~ F 4.8 (TELE)
<b>Angle of View</b>	54° (WIDE) ~ 4.9° (TELE)	55.4° (WIDE) ~ 2.9° (TELE)	62.9° (WIDE) ~ 2.2° (TELE)	61.2° (WIDE) ~ 2.32° (TELE)	60° (WIDE) ~ 2.0° (TELE)
<b>Min. Illumination</b>	Color: 0.5 lux, BW: 0.1 lux DSS Color: 0.125 lux, DSS BW: 0.025 lux			Color: 0.15 lux, BW: 0.01 lux DSS Color: 0.0375 lux, IR: 0 lux	
<b>Video Output</b>	HD: Digital (LVDS)/AHD/TVI/EX-SDI, Analog SD: CVBS(w/o WDR)				
<b>Resolution</b>	LVDS: 1080p60, 1080p50, 1080p30, 1080p25, AHD/TVI/EX-SDI: 1080p30, 1080p25, Analog: 700TVL(w/o WDR)				
<b>Low Light Sensitive</b>				●	●
<b>Auto ICR</b>	●	●	●	●	●
<b>WDR</b>	●	●	●	●	●
<b>Defog</b>	●	●	●	●	●
<b>Privacy Zone Masking</b>	●	●	●	●	●
<b>Motion Detection</b>	●	●	●	●	●

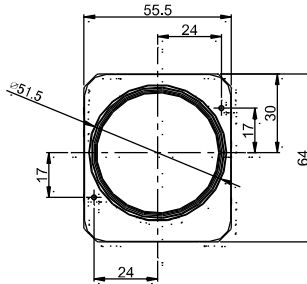
# XM-3600 (Low Light x36 Zoom Module)

## Design

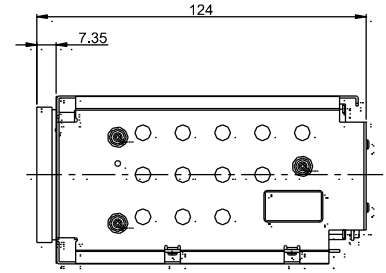


## Dimensions

Unit : mm



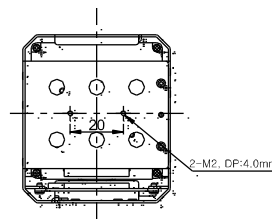
FRONT



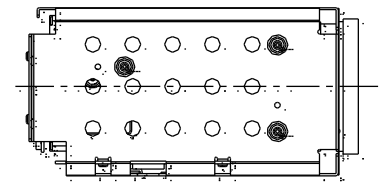
LEFT

## Key Features

- 1/1.9" 2MP Progressive Scan CMOS sensor
- LVDS, AHD, TVI, EX-SDI and Analog
- Optical x36 & Digital x12 Zoom
- Min. Illumination 0.15 lux (Color) / 0.01 lux (B/W), 0.0375 lux (DSS Color) / 0 lux (IR Mode)
- Auto ICR, WDR, Defog
- Privacy Zone Masking, Motion Detection
- VISCA, Pelco-D/P



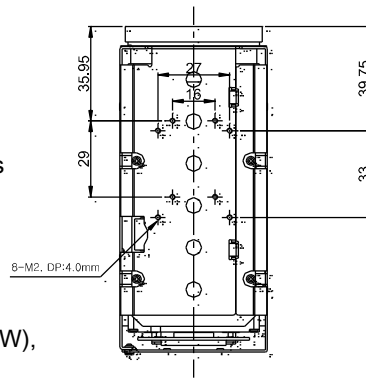
REAR



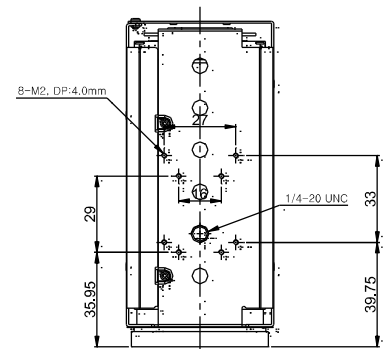
RIGHT

## Technical Specification

- 1/1.9" 2MP Progressive Scan CMOS sensor
- Total Pixels 2010 (H) x 1108 (V), 2.2M Pixels
- Active Pixels 1944 (H) x 1092 (V), 2.1M Pixels
- LVDS 1080p60/50, 1080p30/25, AHD/TVI/EX-SDI 1080p30/25 and Analog 700TVL (w/o WDR)
- S/N Ratio more than 50dB (AGC off)
- Optical x36 & Digital x12 Zoom
- Min. Illumination 0.15 lux (Color) / 0.01 lux (B/W), 0.0375 lux (DSS Color) / 0 lux (IR Mode)
- Auto ICR, WDR, Defog
- Privacy Zone Masking, Motion Detection
- VISCA, Pelco-D/P, CXH
- Cam ID 0 to 255
- Baud Rate 2400 to 115200
- Operating Voltage 9V to 15V DC
- Power Consumption Max. 5W (at 12V DC)
- Operating Temperature -10°C~50°C
- Storage Temperature -20°C~60°C
- Operating Humidity 20%RH to 80%RH
- Storage Humidity 20%RH to 95%RH
- Dimension 55.5 x 64 x 124mm
- Weight 372g



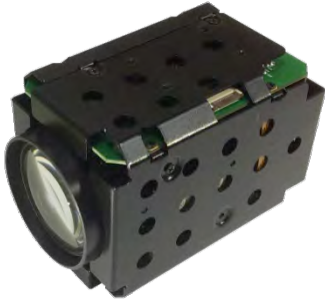
TOP



BOTTOM

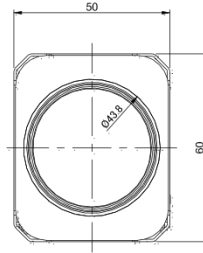
# XM-300 (1080p x30 Zoom Module)

## Design

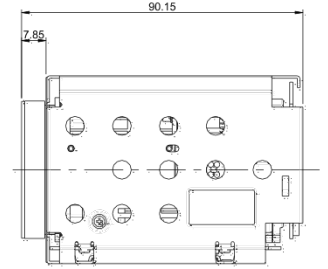


## Dimensions

Unit : mm



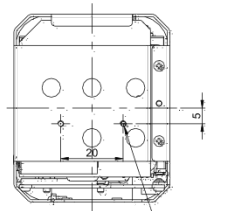
**FRONT**



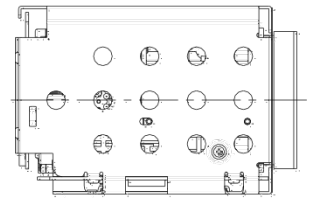
**LEFT**

## Key Features

- 1/2.8" 2MP Progressive Scan CMOS sensor
- LVDS, AHD, TVI, EX-SDI and Analog
- Optical x30 & Digital x12 Zoom
- Min. Illumination 0.5 lux (Color) / 0.1 lux (B/W), 0.125 lux (DSS Color) / 0.025 lux (DSS BW)
- Auto ICR, WDR, Defog
- Privacy Zone Masking, Motion Detection
- VISCA, Pelco-D/P



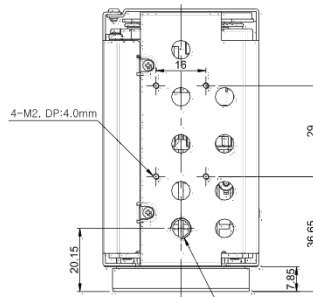
**REAR**



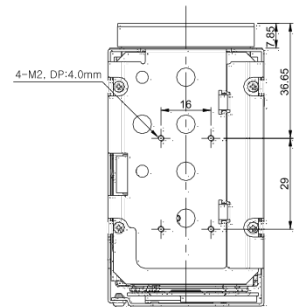
**RIGHT**

## Technical Specification

- 1/2.8" 2MP Progressive Scan CMOS sensor
- Total Pixels 2010 (H) x 1108 (V), 2.2M Pixels
- Active Pixels 1944 (H) x 1092 (V), 2.1M Pixels
- LVDS 1080p60/50, 1080p30/25, AHD/TVI/EX-SDI 1080p30/25 and Analog 700TVL (w/o WDR)
- S/N Ratio more than 50dB (AGC off)
- Optical x30 & Digital x12 Zoom
- Min. Illumination 0.5 lux (Color) / 0.1 lux (B/W), 0.125 lux (DSS Color) / 0.025 lux (DSS BW)
- Auto ICR, WDR, Defog
- Privacy Zone Masking, Motion Detection
- VISCA, Pelco-D/P, CXH
- Cam ID 0 to 255
- Baud Rate 2400 to 115200
- Operating Voltage 9V to 15V DC
- Power Consumption Max. 5W (at 12V DC)
- Operating Temperature -10°C~50°C
- Storage Temperature -20°C~60°C
- Operating Humidity 20%RH to 80%RH
- Storage Humidity 20%RH to 95%RH
- Dimension 50 x 60 x 90.15mm
- Weight 262g



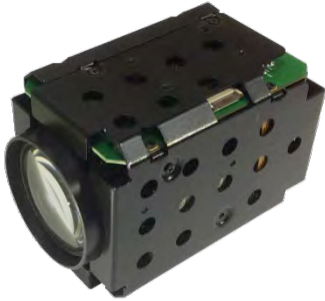
**TOP**



**BOTTOM**

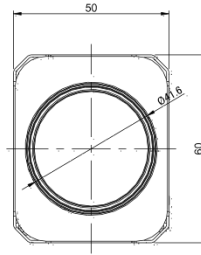
# XM-200 (1080p x20 Zoom Module)

## Design

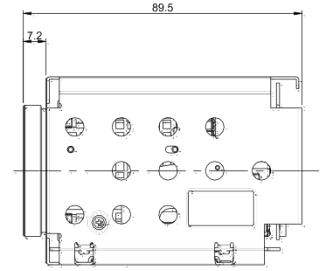


## Dimensions

Unit : mm



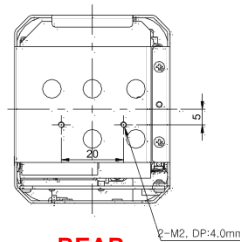
**FRONT**



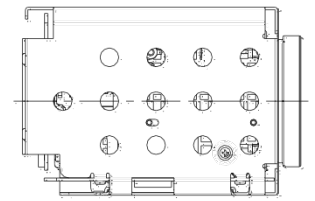
**LEFT**

## Key Features

- 1/2.8" 2MP Progressive Scan CMOS sensor
- LVDS, AHD, TVI, EX-SDI and Analog
- Optical x20 & Digital x12 Zoom
- Min. Illumination 0.5 lux (Color) / 0.1 lux (B/W), 0.125 lux (DSS Color) / 0.025 lux (DSS BW)
- Auto ICR, WDR, Defog
- Privacy Zone Masking, Motion Detection
- VISCA, Pelco-D/P



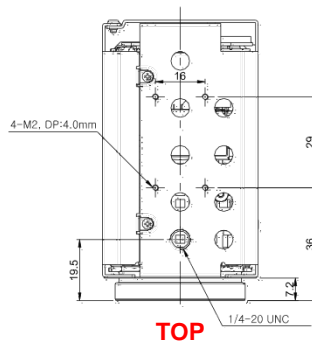
**REAR**



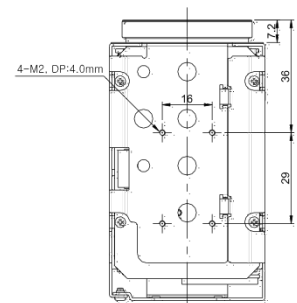
**RIGHT**

## Technical Specification

- 1/2.8" 2MP Progressive Scan CMOS sensor
- Total Pixels 2010 (H) x 1108 (V), 2.2M Pixels
- Active Pixels 1944 (H) x 1092 (V), 2.1M Pixels
- LVDS 1080p60/50, 1080p30/25, AHD/TVI/EX-SDI 1080p30/25 and Analog 700TVL (w/o WDR)
- S/N Ratio more than 50dB (AGC off)
- Optical x20 & Digital x12 Zoom
- Min. Illumination 0.5 lux (Color) / 0.1 lux (B/W), 0.125 lux (DSS Color) / 0.025 lux (DSS BW)
- Auto ICR, WDR, Defog
- Privacy Zone Masking, Motion Detection
- VISCA, Pelco-D/P, CXH
- Cam ID 0 to 255
- Baud Rate 2400 to 115200
- Operating Voltage 9V to 15V DC
- Power Consumption Max. 5W (at 12V DC)
- Operating Temperature -10°C~50°C
- Storage Temperature -20°C~60°C
- Operating Humidity 20%RH to 80%RH
- Storage Humidity 20%RH to 95%RH
- Dimension 50 x 60 x 89.5mm
- Weight 246g



**TOP**



**BOTTOM**

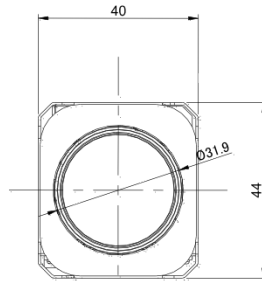
# XM-100 (1080p x10 Zoom Module)

## Design

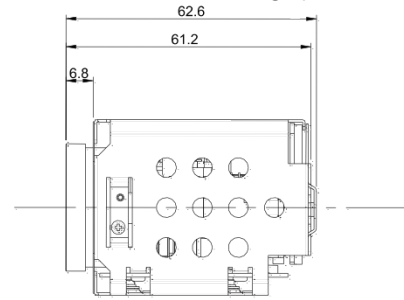


## Dimensions

Unit : mm



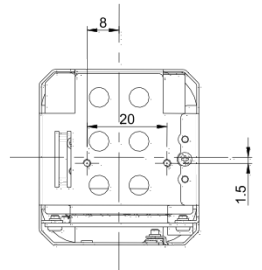
**FRONT**



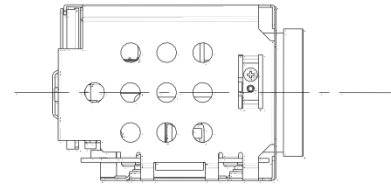
**LEFT**

## Key Features

- 1/2.8" 2MP Progressive Scan CMOS sensor
- LVDS, AHD, TVI, EX-SDI and Analog
- Optical x10 & Digital x12 Zoom
- Min. Illumination 0.5 lux (Color) / 0.1 lux (B/W), 0.125 lux (DSS Color) / 0.025 lux (DSS BW)
- Auto ICR, WDR, Defog
- Privacy Zone Masking, Motion Detection
- VISCA, Pelco-D/P



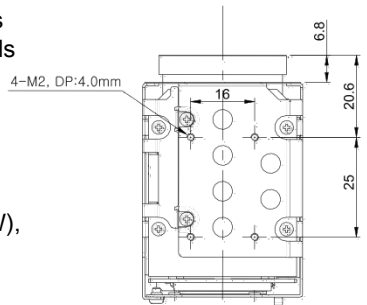
**REAR**



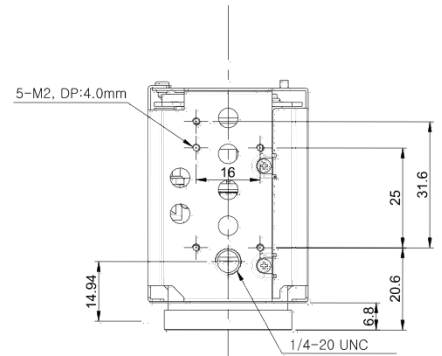
**RIGHT**

## Technical Specification

- 1/2.8" 2MP Progressive Scan CMOS sensor
- Total Pixels 2010 (H) x 1108 (V), 2.2M Pixels
- Active Pixels 1944 (H) x 1092 (V), 2.1M Pixels
- LVDS 1080p60/50, 1080p30/25, AHD/TVI/EX-SDI 1080p30/25 and Analog 700TVL (w/o WDR)
- S/N Ratio more than 50dB (AGC off)
- Optical x10 & Digital x12 Zoom
- Min. Illumination 0.5 lux (Color) / 0.1 lux (B/W), 0.125 lux (DSS Color) / 0.025 lux (DSS BW)
- Auto ICR, WDR, Defog
- Privacy Zone Masking, Motion Detection
- VISCA, Pelco-D/P, CXH
- Cam ID 0 to 255
- Baud Rate 2400 to 115200
- Operating Voltage 9V to 15V DC
- Power Consumption Max. 5W (at 12V DC)
- Operating Temperature -10°C~50°C
- Storage Temperature -20°C~60°C
- Operating Humidity 20%RH to 80%RH
- Storage Humidity 20%RH to 95%RH
- Dimension 40 x 44 x 62.6mm
- Weight 106g



**BOTTOM**



**TOP**