

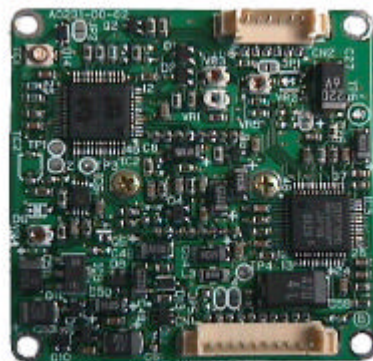
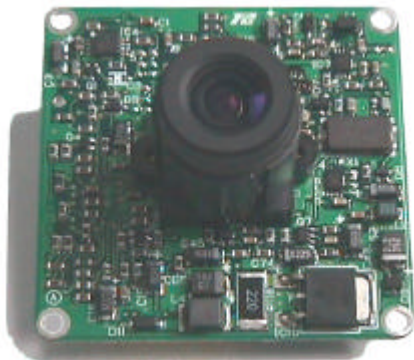
PACIFIC CORPORATION INC.

Importateur exclusif : Opto Vision France

Nouveau

1/3" B/W CCD board camera

Model : [PC-175A](#)(CCIR)



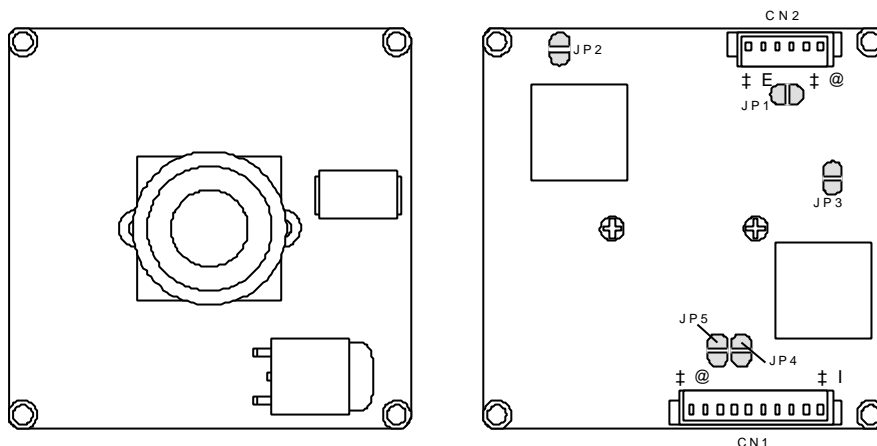
Specifications	PC-175A
Image sensor	1/3" interline Type CCD
CCD model no.	ICX405AL
Total number of pixels	537(H) x 597(V)
Effective picture elements	500(H) x 582(V)
Signal format	CCIR
Lens	Standard : Fixed Iris lens f=3.6mm, F5.0, Optionnal: 2,3 – 6 – 8 – 12 – 16 or 25 mm or CS mount
Synchronization	Internal /External auto change
Ext. Sync	V.S.
Scanning System	2:1 Interlace
Video Output	1Vpp 750
Horizontal Resolution	380 TV lines
Min. Illumination	Less than 0.2 lux (Video Output 50% AGC ON F1.4)
S/N ratio	Better than 46dB
Elec. Iris	ON(1/50 to 1/100,000 sec) / OFF
Horizontal drive freq.	15.625 kHz
Vertical drive freq.	50 Hz
Elec. Shutter	NA
Gamma	0.45
AGC	ON (OFF : by soldering jumper)
BLC	Full screen / Center Selectable
Auto Iris lens output	DC IRIS / VIDEO IRIS Output
Power requirements	DC12V±10%
Current consumption	Max 120mA
Storage temperature	-20°C +60°C
humidity	Max. 90% No condensation
Operating temperature	-5°C +40°C
humidity	Max.80% No condensation
Dimensions	42(W) x 42(H) x 21.5(D)mm
Weight	Approx.16g

PACIFIC CORPORATION INC.

Importateur exclusif : Opto Vision France

Nouveau

2. Connections



1) CN 1 - I/O Connector : 53398-1010 (molex)

- CN1-1 N.C
- CN1-2 BLC ON/OFF : OPEN = OFF (FULL), GND = ON (CENTER)
- CN1-3 E/E/ ON/OFF : OPEN = ON, GND = OFF
- CN1-4 GND
- CN1-5 VIDEO OUTPUT
- CN1-6 VIDEO IRIS OUTPUT
- CN1-7 GND
- CN1-8 DC+12V INPUT
- CN1-9 EXT.SYNC INPUT (V.S.)
- CN1-10 N.C

2) CN2 – DC IRIS connector : 53398-0610 (molex)

- CN2-1 DRIVE+
- CN2-2 DRIVE-
- CN2-3 DUMP-
- CN2-4 DUMP+
- CN2-5 VR(a)*E/E adjust volume for DC IRIS LENS(100k Ω to be used)
- CN2-6 VR(b)

3) Jumper

- JP1 N.A
- JP2 N.A
- JP3 AGC ON/OFF
- JP4 E/E ON/OFF
- JP5 BLC ON/OFF