



**1/3" Color CCD board camera
Model : PK- 365 (PAL)**

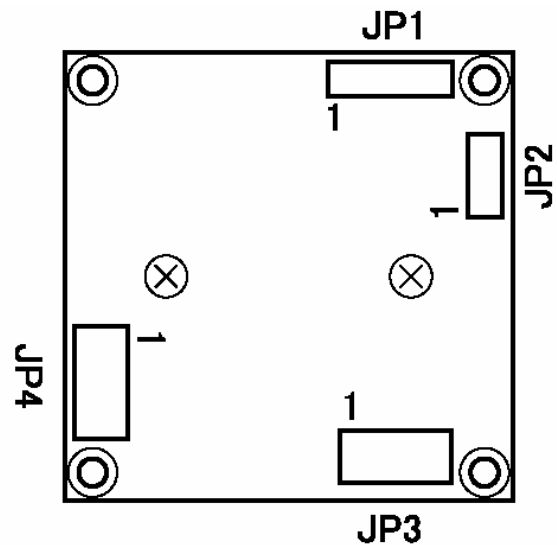
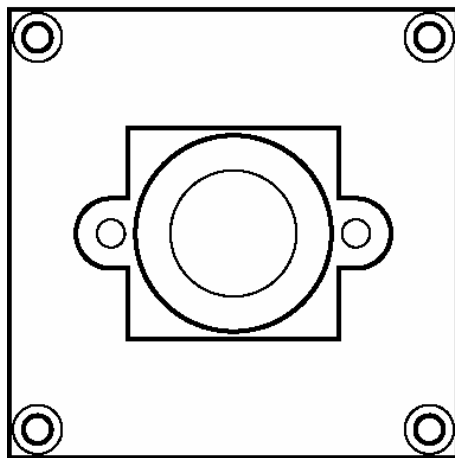
- Low noise/High quality Picture
- High Sensitivity (0.05 lx :Frame Integration x 8)
- Hor./Ver. Reverse (Mirror/Flip function)
- Sense up ON/OFF (ON : Frame Integration)
- ATW/AWB
- AGC ON/OFF
- AE/ALC (1/50sec)
- Monitor Output

1.Specifications

Model Name	PK – 365
Signal format	PAL
Image sensor	1/3" interline CCD
CCD model No.	ICX409AK (SONY)
Number of Pixel	752(H) x 582(V)
Scanning System	2 :1 Interlace
Synchronization	Internal
Horizontal Frequency	15.625 kHz
Vertical Frequency	50.00 Hz
Horizontal Resolution	520 TV lines
Video Output level	1.0Vp-p, 75 ohm (Video 0.714Vp-p, Sync. 0.286Vp-p)
Burst level	0.286 Vp-p
S/N ratio	48dB or better (gamma=1, AGC=off, Aperture=off, Luminance signal)
STD Scene Illumination	1000 lx F4
Min. Illumination	0.05 lux (Video Output 50%, AGC ON, F1.2) at Frame Integration 8 times
? Correction	0.45 or 1.0
AGC	+ 18 dB Max.
IRIS Control	Electrical IRIS / Lens IRIS (DC control)
Electrical Shutter	1/50 to 1/120,000 sec.
< Functions >	
BLC	Calculated besides High-light level area
Mirror	Horizontal and Vertical (Flip function)
Sense up	ON / OFF
White Balance	ATW / AWB (one push)
Connect I/F	Serial I/F
Power Supply Voltage	DC12V ± 1V
Power Supply Current	Max 100mA (at DC+12V), Max 150mA (with auto iris lens)
Storage temperature humidity	-20°C to +60°C Max. 90%(No condensation)
Operating temperature humidity	-5°C to +45°C Max.80%(No condensation)
Dimensions	32(W) x 32(L) without lens
Weight	Approx. 8g without lens



2. Connections



JP1:Function Connector(BM06B-SRSS)

SHR-06V-S(JST)

- 1.GND
- 2.Sens up (On/Off)
- 3.V-Mirror (Normal/Mirror)
- 4.H-Mirror (Normal/Mirror)
- 5.BLC (Off/On)
- 6.ATW/AWC (ATW/AWC)
- 7.AGC (On/Off)
- 8.AE/ALC (AE/ALC)
(OPEN/GND)

JP3: I/O Connector (53398-0571)

51021-0500(molex)

- 1.DC-in
- 2.GND
- 3.Monitor(Optional)
- 4.Video

JP2:Serial Connector (SM06B-SURS)

06SUR-32S(JST)

- 1.+3.3v Out
- 2.SDO
- 3.SDI
- 4.STB
- 5.SCK
- 6.GND

JP4:DC-Iris Conector(53398-0471)

51021-0400(molex)

- 1.DMP-
- 2.DMP+
- 3.DRV+
- 4.DRV-



PK-365
With Auto IRIS
Vari-focal Lens
 (F1.2, f=3.8 – 9.5mm)