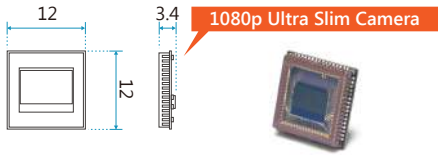


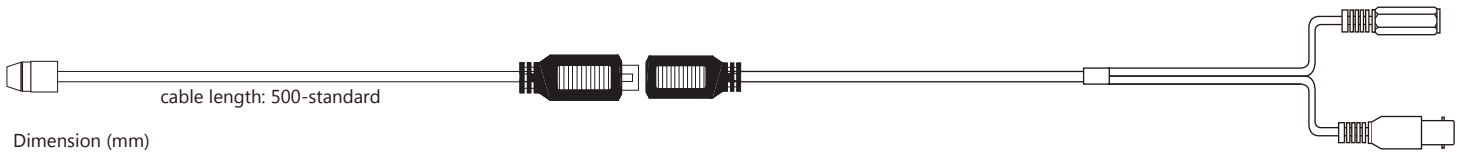
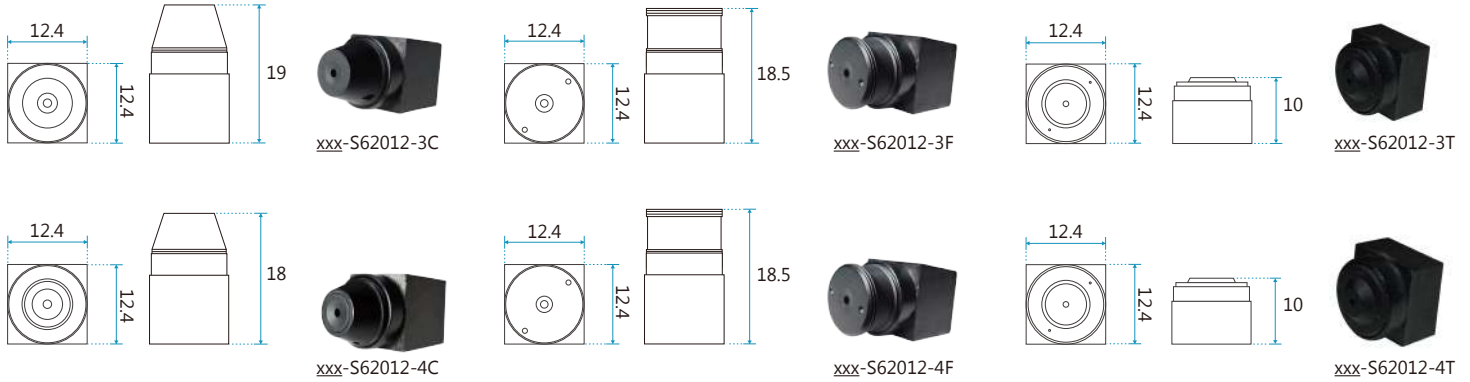


Model: xxx-B62012
Board Type



- Ultra slim camera module
- 1080p high resolution
- AHD / CVI / TVI / PVI (specify when ordering)

Model: xxx-S62012
Body Type



Specification

Model	AHD-S62012	CVI-S62012	TVI-S62012	PVI-S62012	AHD-B62012	CVI-B62012	TVI-B62012	PVI-B62012
Video format	AHD	CVI	TVI	PVI	AHD	CVI	TVI	PVI
Dimensions (mm)	12.4 x 12.4 +0.2				12 x 12			
Number of effective pixels	1920 (H) x 1080(V)							
Effective image area	5.3984 x 3.0464 mm (Diagonal : 6.2mm)							
Pixel Size (µm)	2.8 x 2.8							
Image sensor	1/2.9" Color CMOS Camera							
S/N ratio	TBD							
Dynamic range	80 [dB]							
MAX frame rate	30 fps							
Sensitivity	TBD							
Camera consumption	0.45							
Storage temperature	-30 to 60 Degree C							
Working temperature	-10 to 45 Degree C							
Power source	Camera input: DC 5~12V							
Power current	80mA (DC 12V) / 150mA (DC 5V)							

Order Information

Model	Lens	MIC.	Model	Lens	MIC.
AHD-S62012-3C	3.7mm / F2.0	x	AHD-S62012A-3C	3.7mm / F2.0	External
AHD-S62012-4C	4.3mm / F2.0	x	AHD-S62012A-4C	4.3mm / F2.0	External
AHD-S62012-3F	3.7mm / F2.0	x	AHD-S62012A-3F	3.7mm / F2.0	External
AHD-S62012-4F	4.3mm / F2.0	x	AHD-S62012A-4F	4.3mm / F2.0	External
AHD-S62012-3T	3.1mm / F3.4	x	AHD-S62012A-3T	3.1mm / F3.4	External
AHD-S62012-4T	3.9mm / F3.9	x	AHD-S62012A-4T	3.9mm / F3.9	External

Note:

AHD-S62012A-xx S : Body type B : Board type

AHD-S62012A-xx A : External Mic.

AHD-S62012A-xx AHD signal / CVI signal / TVI signal / PVI signal for selection