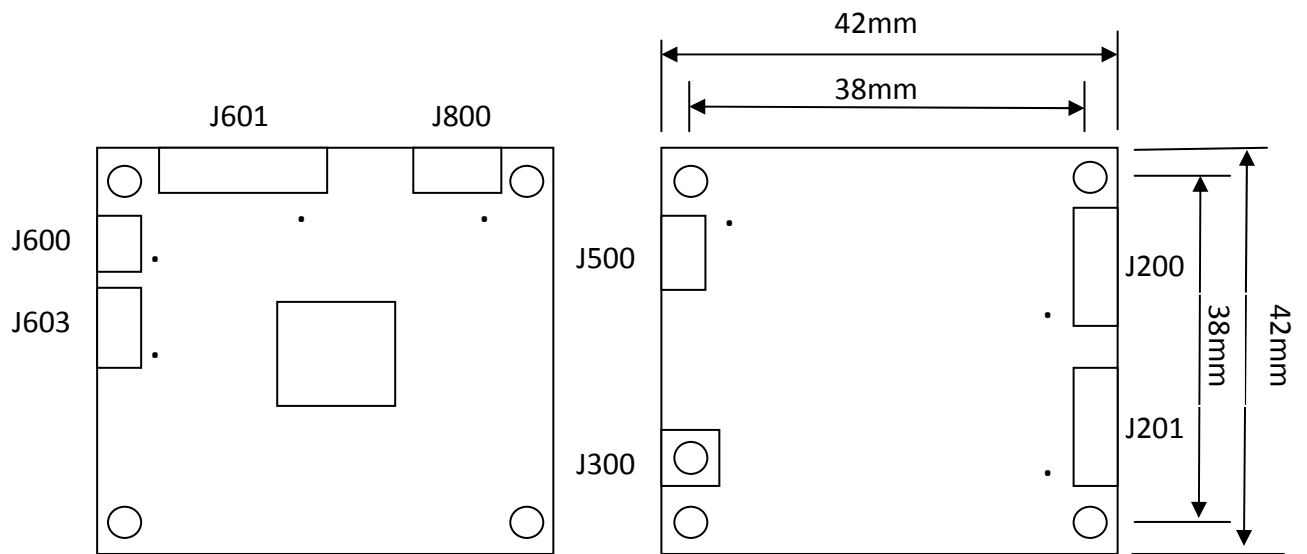


OSD MENU

IRIS	ALC		
	AES		
EDGE DET	OFF		
	ON	LEVEL	0~10
		COLOR	YEL、CYN、GRN、MAG、RED、 BLU、BLK、WHT
EXPOSURE	BRIGHTNESS	0~20	
	SHUTTER	AUTO	INDOOR/OUTDOOR/DEBLUR
		MANUAL	1/25(30)、1/50(60)、1/100(120)、1/250、 1/500、1/1000、1/2000、1/4000、1/8000、 1/15000、1/30000
		FLICKLESS	
	SENS-UP	OFF、X2、X4、 X8、X16、X32	
	AGC	0~10	
BACKLIGHT	OFF		
	HLC	LEVEL	0~20
		COLOR	BLK、WHT、YEL、CYN、GRN、MAG、RED、 BLU
	BLC	H-POS	0~19
		V-POS	0~18
		H-SIZE	0~19
		V-SIZE	0~18
	WDR	WDR MODE	FRAME
		ROI MODE	OFF、BOX、PLOYGON
		WEIGHT	HIGH、LOW、MIDDLE
DAY/NIGHT	OFF		
	AUTO	D>N THRES	8~20
		N>D THRES	0~12
		DELAY	HIGH、LOW、MIDDLE
	COLOR		
	B&W	D>N THRES	8~20
		N>D THRES	0~12
		DELAY	HIGH、LOW、MIDDLE
	EXTERN	EXTERN SW	HIGH、LOW
		D> N THRES	0~20
		N>D THRES	0~20
		DELAY	HIGH、LOW、MIDDLE

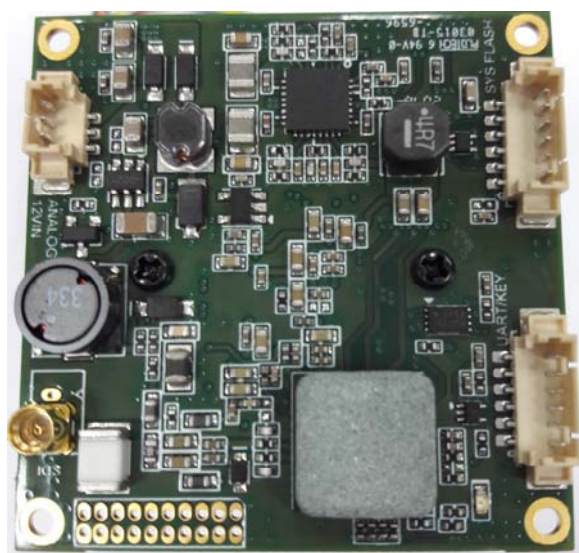
COLOR	AWB	AUTO	
		AUTOext	
		PRESET	
		MANUAL	
	COLOR GAIN	0~20	
DNR	OFF		
	HIGH		
	MIDDLE		
	LOW		
IMAGE	SHARPNESS	0~20	
	GAMMA	0.45、0.55、0.65、0.75	
	MIRROR	OFF、ON	
	FLIP	OFF、ON	
	D-ZOOM	1~16X	
	ACE	OFF、HIGH	
		MIDDLE、LOW	
	DEFOG	OFF、ON	
	SHADING	OFF	
		ON	
		WEIGHT	0~100%
	PRIVACY	BOX	OFF、ON
	POLYGON	OFF、ON	
MOTION	OFF		
	DET WINDOW	WINDOW USE	
		WINDOW ZONE ON	
		DET H-POS	
		DET V-POS	
		DET H-SIZE	
		DET V-SIZE	
	SENSITIVITY	0~10	
	MOTION OSD	OFF、ON	
	TEXT ALARM	OFF、ON	
SIGNAL OUT	OFF、ON		
SYSTEM	COMM	CAM ID	
		BUADRATE	2400、4800、9600、57600、 115200
	OUTPUT	FRAME	720P、1080P、1080i
		FREQ	50HZ、60HZ
		SDI MODE	HD-SDI、135M、135M+、270M
		ANALOG MODE	OFF、CVBS、TVI、CVI、AHD
		CONFIRM	YES

※The specifications and appearance of the product may change without notice.

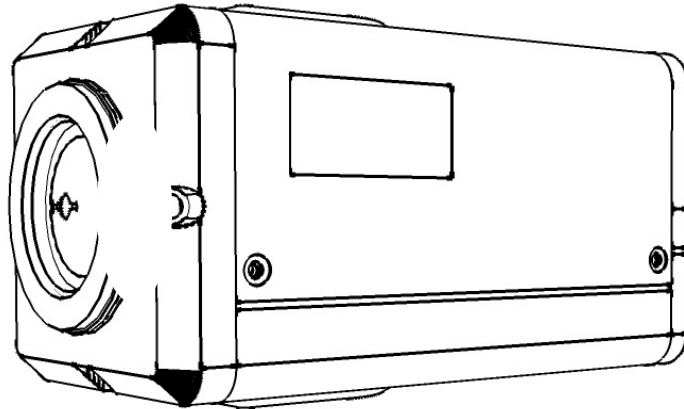


	J601		J201		J200		J500
1	FA-	1	GND	1	-----	1	DC12V
2	FA+	2	TX	2	-----	3	GND
3	ZA-	3	RX	3	-----	4	VIDEO
4	ZA+	4	3V3	4	-----		
5	ZB+	5	KEY_IN	5	-----		
6	ZB	6	GND	6	-----		
7	FB+						
8	FB-						
	J603		J800		J600		J300
1	DAMP-	1	-----	1	TDN_MA+	1	SDI
2	DAMP+	2	GND	2	TDN_MA-	2	GND
3	DRIVE	3	DN_SEL				
4	GND	4	-----				

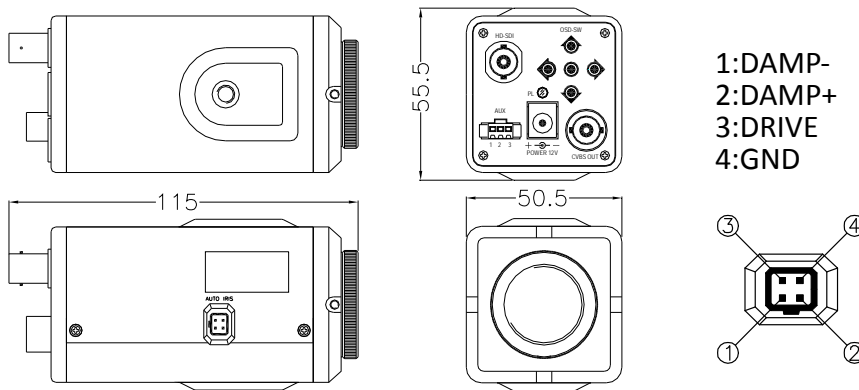
MHD-53MN3PH-DIAF(objectif Varifocale 2.7~12mm avec filtre ICR escamotable)



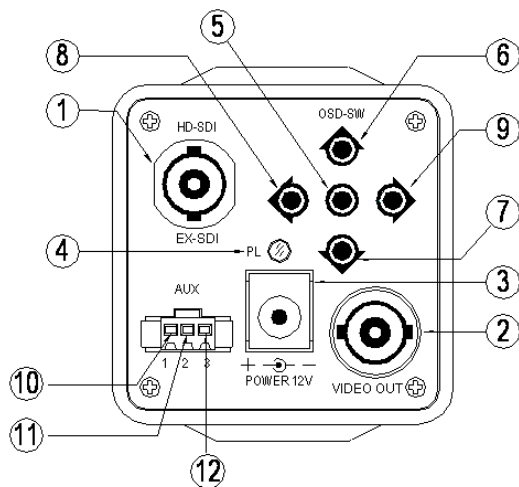
MHD-63MN3PH-D en boitier monture C/CS



Dimension (Unit : mm / ±0.3mm)



- 1:DAMP-
- 2:DAMP+
- 3:DRIVE
- 4:GND



Rear board definition :

- 1:EX-SDI/HD-SDI
- 2:VIDEO OUT
- 3:POWER IN DC-JACK
- 4:POWER ON INDICATOR LED
- 5:OSD-SW "ENTER"
- 6:OSD-SW "UP"
- 7:OSD-SW "DOWN"
- 8:OSD-SW "LEFT"
- 9:OSD-SW "RIGHT"
- 10:AUX 1 : " RS485+ "
- 11:AUX 2 : " RS485 - "
- 12:AUX 3 : " ----- "

EX-SDI/HD-SDI
 TVI/CVI/AHD/CVBS
 DC12V