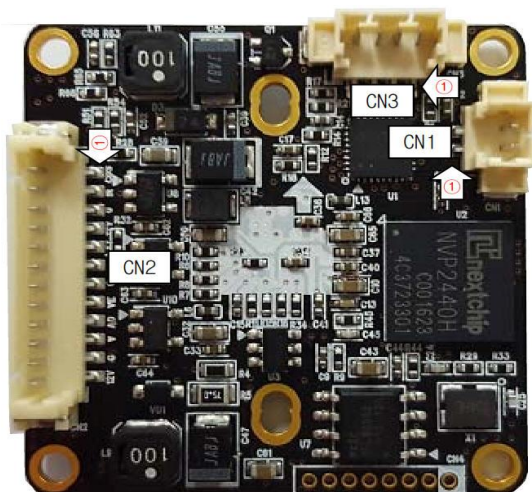
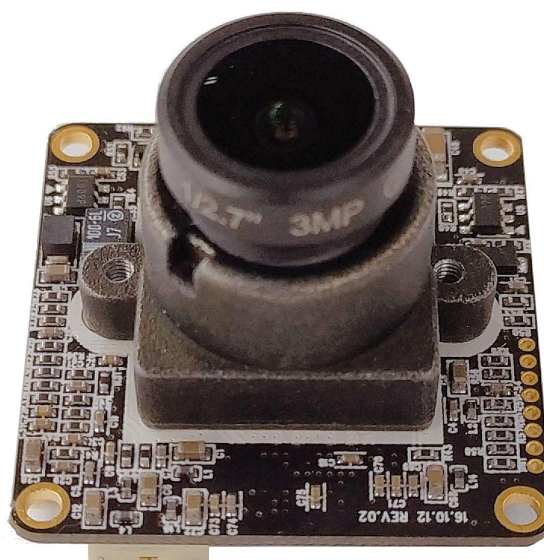
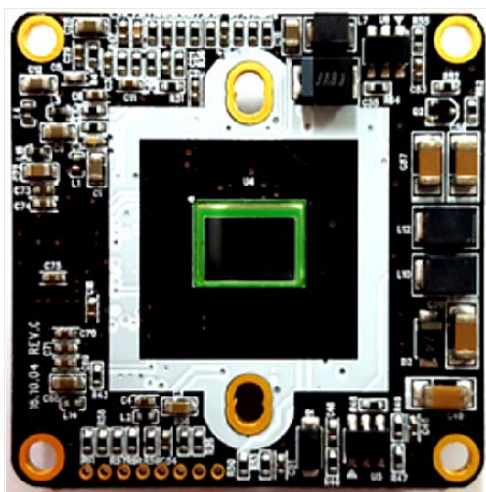




CAMERA CARTE ANALOGIQUE FULL HD MULTI STANDARD

| | |
|-------|---|
| MODEL | IM-M27D32 |
| ITEM | 32X32 UNIVERSAL BOARD COLOR CAMERA (AHD / TVI / CVI / CVBS) |

Module caméra Haute Résolution 1920 x 1080 offrant 4 standards vidéo en sortie commutables
AHD / HD-TVI / HD-CVI en Full HD 16/9° et **CVBS** en basse résolution (960H) format 4/3
Paramétrable par menus OSD - Objectif interchangeable



Specifications

| Item | IM-M27D32 |
|----------------------------|---|
| Imaging Sensor | 1/2.9" 2.1Megapixel COMS |
| Scanning System | Progressive Scan |
| Number of effective pixels | 1985(H) X 1105(V) = 2,19M(pixel) |
| Total number of pixels | 2001(H) X 1121(V) = 2,24M(pixel) |
| S/N Ratio | More than 50dB |
| Video Output Mode | 1080P(1920 X 1080) 25P/30P |
| Video Output Level | AHD2.0 / HD-TVI / HD-CVI / CVBS Selectable |
| Min. Illumination | 1.0Lux(Color) , 0.5Lux(BW) , 0.02Lux(Sens-up x30) |
| O.S.D | Built-in |
| Electronic Shutter Speed | AUTO / FLK |
| | (NTSC : 1/30sec ~ 1/50,000sec) (PAL : 1/25sec ~ 1/50,000sec) |
| AGC | 1 ~ 15 Step |
| Sens-up | AUTO / OFF (x2 ~ x30) |
| D-WDR | ON / OFF / AUTO |
| DEFOG | OFF / AUTO |
| Backlight Compensation | BLC / HSBLC / OFF |
| White Balance | ATW / AWC-SET / INDOOR / OUTDOOR / MANUAL / AWB |
| Day & Night | AUTO / COLOR / BW / EXT |
| DNR | 2DNR / 3DNR |
| D - EFFECT | FREEZE / MIRROR / NEG.IMAGE |
| Motion Detection | On / Off (4 Zone Selectable) |
| Privacy Masking | On / Off (4 Zone Selectable) |
| Language | English / Chinese1 / Chinese2 / German / French / Italian / Spanish / Polish / Russian / Portuguese / Dutch / Turkish / Korean / Japanese / Hebrew / Arab |
| Defect | LIVE DPC / WHITE DPC / BLACK DPC |
| Protocol | AHD : A-CP / TVI : HIKVISION-C / CVI : HD-CVI |
| Adjust | SHARPNESS / MONITOR / LSC / NTSC/PAL |
| Supplied Voltage | DC12 ±10% |
| Power Consumption | Max. 1.44W[120mA] |
| Dimension | 32(W)X32(H)X1.2(t)mm |
| Weight | 7g |

| Function Menu | | | | |
|---------------|-------------|------------|------------|--------------|
| LENS | ■ DC | ■ MANUAL | | |
| EXPOSURE | ■ SHUTTER | ■ AGC | ■ SENS-UP | ■ BRIGHTNESS |
| | ■ D-WDR | ■ DEFOG | | |
| BACK LIGHT | ■ OFF | ■ BLC | ■ HSBLC | |
| WHITE BAL | ■ ATW | ■ AWC→SET | ■ MANUAL | |
| | ■ INDOOR | ■ OUTDOOR | ■ AWB | |
| DAY & NIGHT | ■ COLOR | ■ AUTO | ■ EXT | ■ B/W |
| NR | ■ 2DNR | ■ 3DNR | | |
| SPECIAL | ■ CAM TITLE | ■ D-EFFECT | ■ MOTION | ■ PRIVACY |
| | ■ LANGUAGE | ■ DEFECT | ■ RS485 | |
| ADJUST | ■ SHARPNESS | ■ MONITOR | ■ LSC | ■ VIDEO.OUT |
| EXIT | ■ SAVE&END | ■ RESET | ■ NOT SAVE | |

OSD Menu Structure

MAIN MENU

| MAIN MENU | DEFAULT SETTINGS | SUB MENU |
|--------------|--|---|
| 1. LENS | DC (OUTDOOR) MIN SHU. : 1/30 MAX SHU. : 1/2000 IRIS SPEED : 8 | DC 1. MODE : INDOOR / OUTDOOR 2. IRIS SPEED : 0~15 3. RETURN : RET / SAVE&END MANUAL |
| 2. EXPOSURE | 1. SHUTTER : --- 2. AGC : 15 3. SENSUP : AUTO (X8) 4. BRIGHTNESS : 35 5. D-WDR (AUTO) 6. DEFOG (OFF) 7. RETURN | 1. SHUTTET : 1/30,60 / FLK / 1/240,480,1000,2000,5000, 10000,50000 / X2,4,6,8,10,15,20,25,30 / AUTO 2. AGC : 1 ~ 15 3. SENS-UP : OFF / AUTO AUTO 1. SENSUP : X2 ~ X30 2. RETURN : RET / SAVE&END 4. BRIGHTNESS : 1 ~ 100 5. D-WDR : OFF / ON / AUTO ON 1. LEVEL : 0~8 2. RETURN : RET / SAVE&END 6. DEFOG : OFF / AUTO AUTO 1. POS/ SIZE 2. GRADATION : 0~2 3. DEFAULT 4. RETURN : RET / SAVE&END 7. RETURN : RET / SAVE&END |
| 3. BACKLIGHT | OFF | BLC 1. LEVEL : LOW / MIDDLE / HIGH 2. AREA : POSITION, SIZE 3. DEFAULT 4. RETURN : RET / SAVE&END HSBLC 1. SELECT : AREA 1 ~ 4 2. DISPLAY : ON / OFF ON : POSITION, SIZE 3. BLACK MASK : ON / OFF 4. LEVEL : 0 ~ 100 5. MODE : ALL DAY / NIGHT 6. DEFAULT 7. RETURN : RET / SAVE&END |
| 4. WHITE BAL | ATW | ATW / AWB / AWC→SET / INDOOR / OUTDOOR / MANUAL(BLUE, RED) MANUAL 1. BLUE : 0 ~ 100 2. RED : 0 ~ 100 3. RETURN : RET / SAVE&END |

| | | |
|--------------|---|---|
| 5. DAY&NIGHT | AUTO | AUTO 1. D→N(AGC) : 0 ~ 255 2. D→N(DELAY) : 0 ~ 60 3. N→D(AGC) : 0 ~ 255 4. N→D(DELAY) : 0 ~ 60 5. RETURN : RET / SAVE&END |
| | | COLOR |
| | | B/W 1. BURST : ON / OFF 2. IR SMART : ON / OFF ON 1. LEVEL : 0 ~ 15 2. AREA : POSITION / SIZE 3. RETURN : RET / SAVE&END 3. RETURN : RET / SAVE&END |
| | | EXT 1. D→N(DELAY) : 0 ~ 60 2. N→D(DELAY) : 0 ~ 60 3. RETURN : RET / SAVE&END |
| 6. NR | 1. 2DNR : MIDDLE 2. 3DNR : MIDDLE 3. RETURN | 1. 2DNR : OFF / LOW / MIDDLE / HIGH 2. 3DNR : OFF / LOW / MIDDLE / HIGH 3. RETURN : RET / SAVE&END |
| 7. SPECIAL | Refer to the next page | |
| 8. ADJUST | 1. SHARPNESS (AUTO) | AUTO /OFF AUTO 1. LEVEL : 0 ~ 10 2. START AGC : 0 ~ 255 3. END AGC : 0 ~ 255 4. RETURN : RET / SAVE&END |
| | | LCD / CRT LCD 1. GAMMA : USER / 0.45 ~ 1.00 2. BLUE GAIN : 0 ~ 100 3. RED GAIN : 0 ~ 100 4. RETURN : RET / SAVE&END CRT 1. BLACK LEVEL : 0 ~ 50 2. BLUE GAIN : 0 ~ 100 3. RED GAIN : 0 ~ 100 4. RETURN : RET / SAVE&END |
| | 2. MONITOR (LCD) | |
| | 3. LSC (ON) | ON / OFF |
| | 4. VIDEO OUT | NTSC / PAL |
| 5. RETURN | RET / SAVE&END | |
| 9. EXIT | SAVE&END | SAVE&END / RESET / NOT SAVE |

| | | |
|-----------|---|--|
| 6. DEFECT | 1. LIVE DPC (ON) 2. WHITE DPC (ON) 3. BLACK DPC (ON) 4. RETURN | 1. LIVE DPC : ON / OFF ON 1. AGC LEVEL : 0 ~255 2. LEVEL : 0 ~ 100 3. RETURN : RET / SAVE&END 2. WHITE DPC : ON / OFF ON 1. POS / SIZE 2. START 3. DPC VIEW : ON/OFF 4. LEVEL : 0 ~ 60 5. AGC : 0 ~ 14 6. SEN-UP : X2 ~ X30 7. RETURN : RET / SAVE&END 3. BLACK DPC : ON / OFF ON 1. POS / SIZE 2. START 3. DPC VIEW : ON/OFF 4. LEVEL : 0 ~ 100 5. RETURN : RET / SAVE&END 4. RETURN : RET / SAVE&END |
| 7. RS485 | 1. CAM ID (1) 2. ID DISPLAY (OFF) 3. BAUDRATE : (9600) 4. RETURN | 1. CAM ID : 0 ~ 255 2. ID DISPLAY : ON / OFF 3. BAUDRATE : 2400 ~ 38400 4. RETURN : RET / SAVE&END |
| 8. RETURN | RET | RETURN : RET / SAVE&END |

Output Signal Mode Change HOT KEY

1. AHD MODE : RIGHT KEY (More than 4sec)

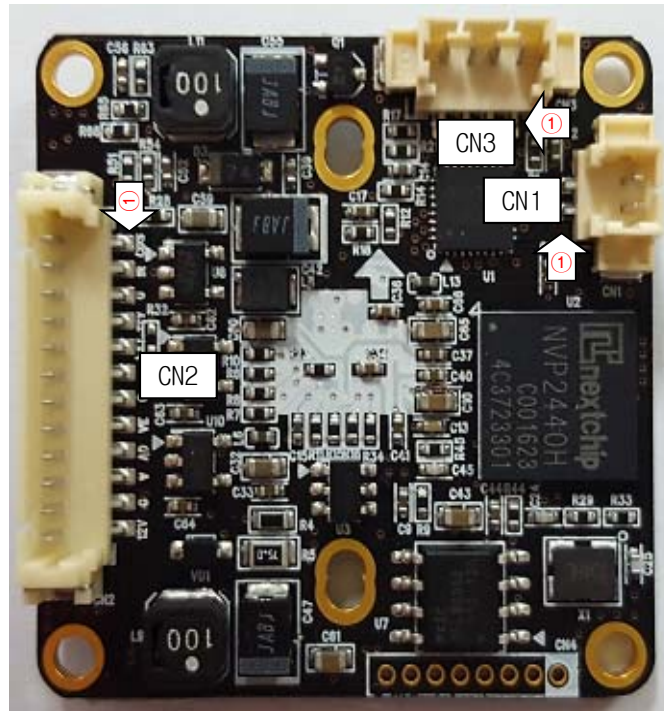
2. TVI MODE : UP KEY (More than 4sec)

3. CVI MODE : DOWN KEY (More than 4sec)

4. CVBS MODE : LEFT KEY (More than 4sec)

Input-Output Signal

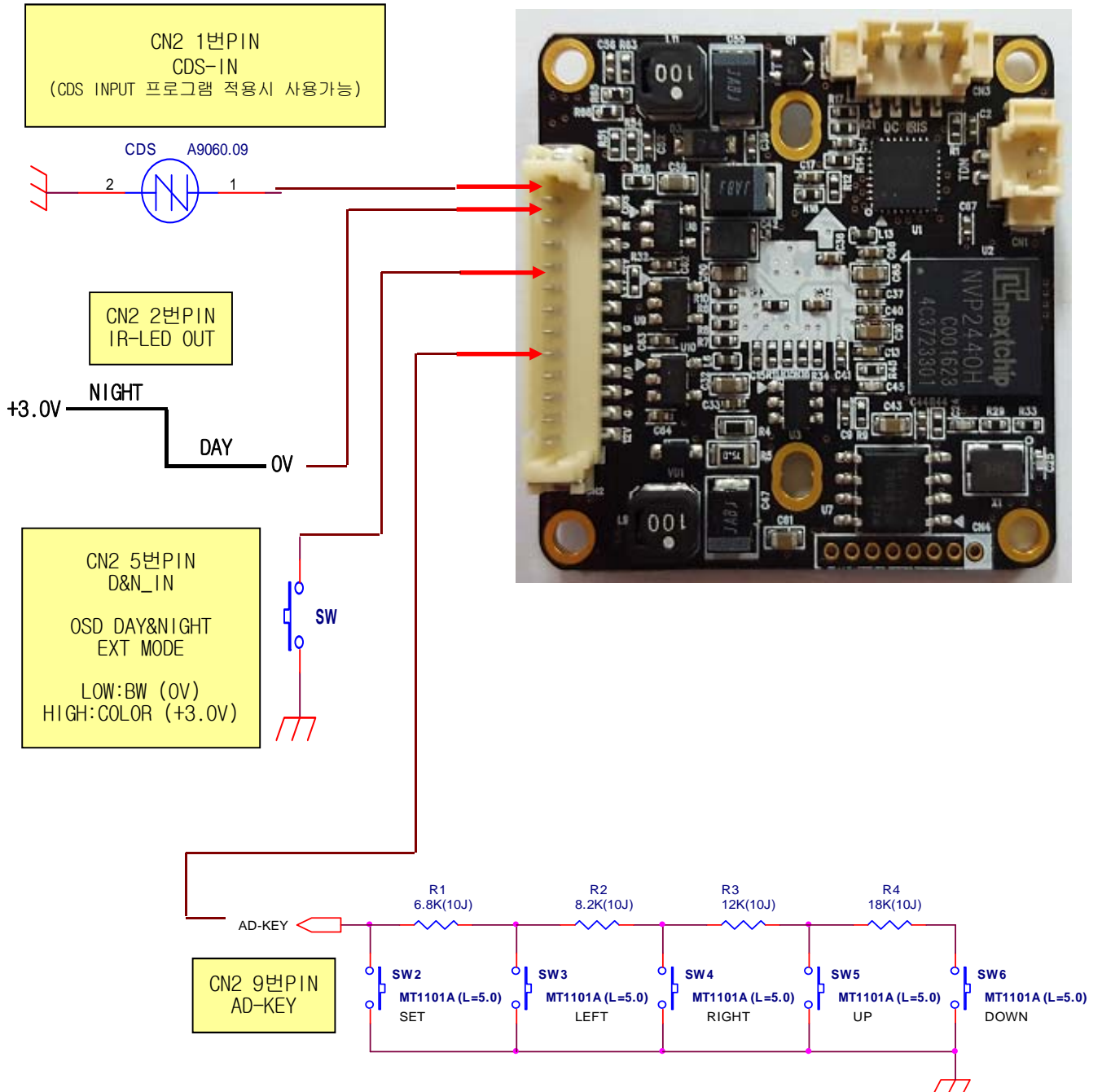
BOTTOM SIDE



| | CN2 (12 PIN) (12505WS-12) | | CN3 (4 PIN) (12505WS-04) | CN1 (2 PIN) (12505WS-02) | | |
|----|------------------------------|-----|-----------------------------|-----------------------------|--|--|
| 1 | CDS-IN | IN | DMP+ | MOTOR_OUT2 | | |
| 2 | IRLED-OUT | OUT | DMP- | MOTOR_OUT1 | | |
| 3 | GND | - | DRV+ | | | |
| 4 | +12V | IN | DRV- | | | |
| 5 | D&N_IN (H:COLOR,L:B/ | IN | | | | |
| 6 | NC | - | | | | |
| 7 | GND | - | | | | |
| 8 | VIDEO_EXT | OUT | | | | |
| 9 | AD_KEY | IN | | | | |
| 10 | VIDEO | OUT | | | | |
| 11 | GND | - | | | | |
| 12 | +12V | IN | | | | |

CONNECTOR WAFER : MOLEX

Application



Dimension

