



MB-208

2MP Zoom x20 Box Camera



EX-SDI
CVBS

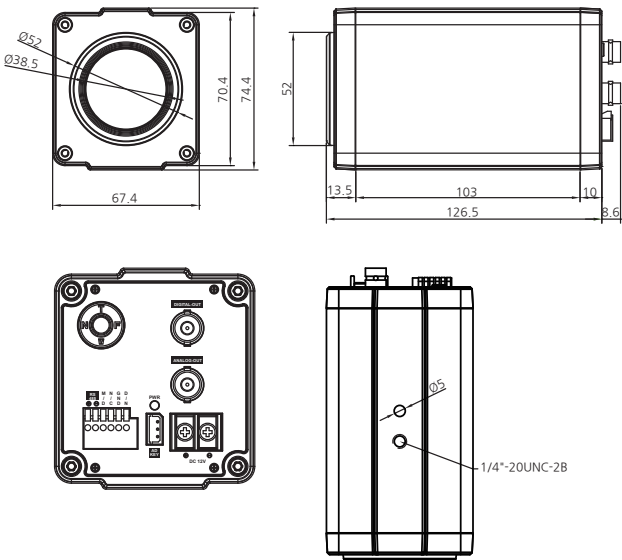


Features

- 1/2.8" 2MP Sony Starvis CMOS sensor
- EX-SDI, CVBS
- x20 Optical Zoom(5.2~104mm) & x32 Digital Zoom
- Real-Time True WDR(Wide Dynamic Range)
- DNR(Digital Noise Reduction, 2D+3D)
- DSS(Digital Slow Shutter)
- DIS(Digital Image Stabilization)
- Defog
- HLC(High Light Compensation)
- ACE(Digital WDR)
- Privacy Mask Function
- Intelligent Motion Detection
- Protocol(VISCA, Pelco-D, Pelco-P)

Dimensions

Unit : mm



MODEL		MB-208		
CAMERA				
Image Sensor	1/2.8" Sony Starvis CMOS Sensor			
Total Pixels	1945 (H) x 1109 (V) = 2.16M pixels			
Active Pixels	1937 (H) x 1097 (V) = 2.12M pixels			
Video Format	1080p@60/50fps, 1080i@60/50fps, 1080p@30/25fps, 720p@60/50fps, 720p@30/25fps			
Min. Illumination	Color	0.01 lux, DSS : 0.001 lux		
	BW	0.001lux, DSS : 0.0001 lux		
S/N Ratio	more than 50dB (AGC off)			
Video Output	EX-SDI, CVBS			
LENS		x20		
Lens Type	x20 Day & Night Zoom Lens			
Zoom Ratio	Optical x20, Digital x32 Zoom			
Focal Length	f = 5.2 mm ~ 104 mm			
Aperture Ratio	F1.5 (wide) ~ F3.5 (tele)			
Angle Of View (D, H, V)	WIDE	63.2°	56.4°	33.5°
	TELE	3.5°	3.1°	1.7°
CAMERA FUNCTIONS				
Camera Title	ID / Title / Zoom Ratio / System Message			
Day & Night	Auto / Day / Night / Ext-in			
WDR/BLC	Off / WDR / BLC / HLC			
ACE	Off / Low / Middle / High			
DNR	Auto / Off / Low / Middle / High			
Defog	Off / On(Auto / Manual)			
Image Stabilization	Off / On			
Motion Detection	Off / On (3 positions)			
Privacy Mask	Off / On (24 positions)			
Digital Slow Shutter	Off /x2 /x4 /x8 /x16 /x32			
Gain Control	0 ~ 10 steps			
White Balance	Auto / One Push / Manual / Indoor / Outdoor			
Shutter Speed	1/30(25) ~ 1/60,000 sec			
E.Zoom	Off / x2 ~ x32			
Digital Flip	Off / H / V / H&V			
GENERAL				
Power Source	DC12V±10%			
Power Consumption	Max 500mA			
Operating Temperature	-10°C ~ +50°C / 0% ~ 90% RH			
Dimensions	67(W) x 74(H) x 135(D) mm			
Weight	0.57Kg			