



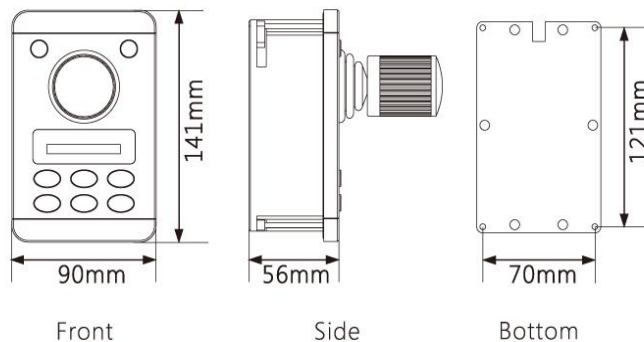
## MKB Maritime Keyboard Controller MKB01



### Features

- ※ IP66 Waterproof
- ※ Control basic features of PATC series thermal cameras
- ※ 3 axis joystick, OLED display
- ※ Two colors backlights
- ※ Support to customize keys
- ※ Control through both RS485 and Ethernet

### Dimensions



### Technical Specification

<b>Model No.</b>	<b>MKB-01</b>
<b>Comm.Interface</b>	RS485/Ethernet
<b>Protocol</b>	Pelco-D,Pelco-P
<b>Baud Rate</b>	2400bps,4800bps,9600bps,19200bps
<b>Address</b>	0 ~255
<b>Joystick</b>	3-axis, speed adjustable
<b>Display</b>	OLED
<b>Power Consumption</b>	<1.6W
<b>Humidity</b>	≤90%(no condensation)
<b>Power</b>	<2W
<b>Working Temp</b>	0°C - +40°C
<b>Storage Temp</b>	-20°C - +50°C
<b>Dimension</b>	141mm(L) x 90mm(W) x 117mm(H)
<b>Weight</b>	0.8KG

※※※ Product specification are subject to change without notice ※※※