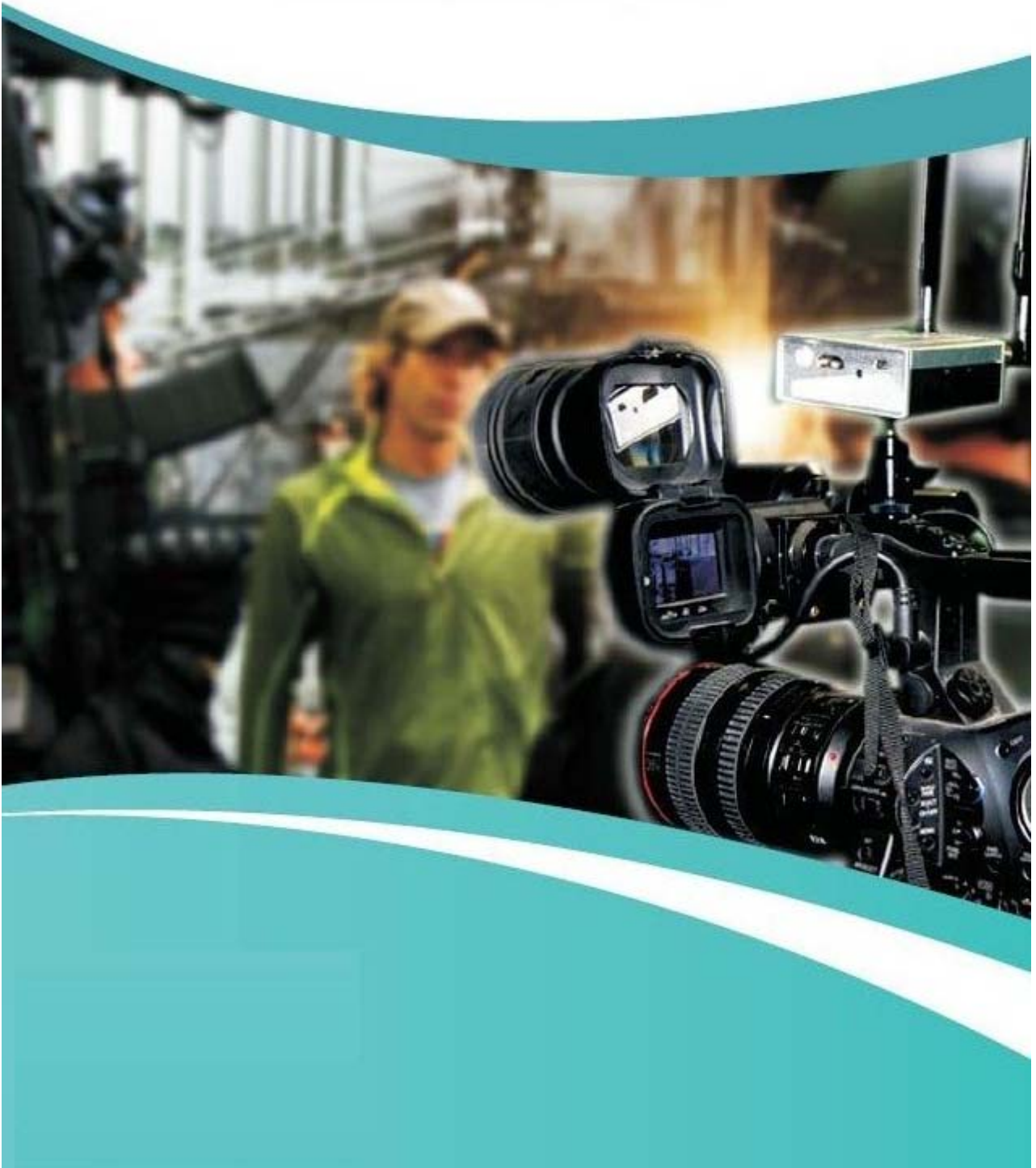




HD-SDI wireless transmission

SE-WL800



EXCELLENT PERFORMANCE IN VARIOUS ENVIRONMENT



STUDIO

FILM SHOOTING



SPORTS

CEREMONY



Full HD Video with Zero Latency

Designed with Wireless HD-PRO™, this wireless transmission system transmits uncompressed 4:2:2, 1080p60 video from any cameras for live viewing, within 1 millisecond latency. With our system, you can see real when it's real.

Long Distance

Wireless HD-PRO™ assures Airpul system sends real-time 1920x1080 video up to 2000 feet (800m) at ground level with default omni antennas (upto 6000 feet with panel antennas) and still maintains an incredible high quality Full HD video.

Operating State

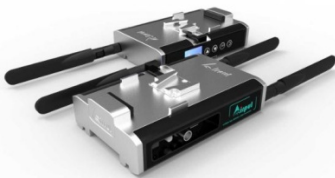
- Auto or manual frequency selection mode (8 channels) within the 5 GHz band
- With unicast and multicast mode, one transmitter can work with at least 8 receivers simultaneously
- V-mount battery or DC input power supply

Unique Features

- OLED display helps adjust the system more easily
- Housed in aluminum case brings long-life working and excellent heat dissipation

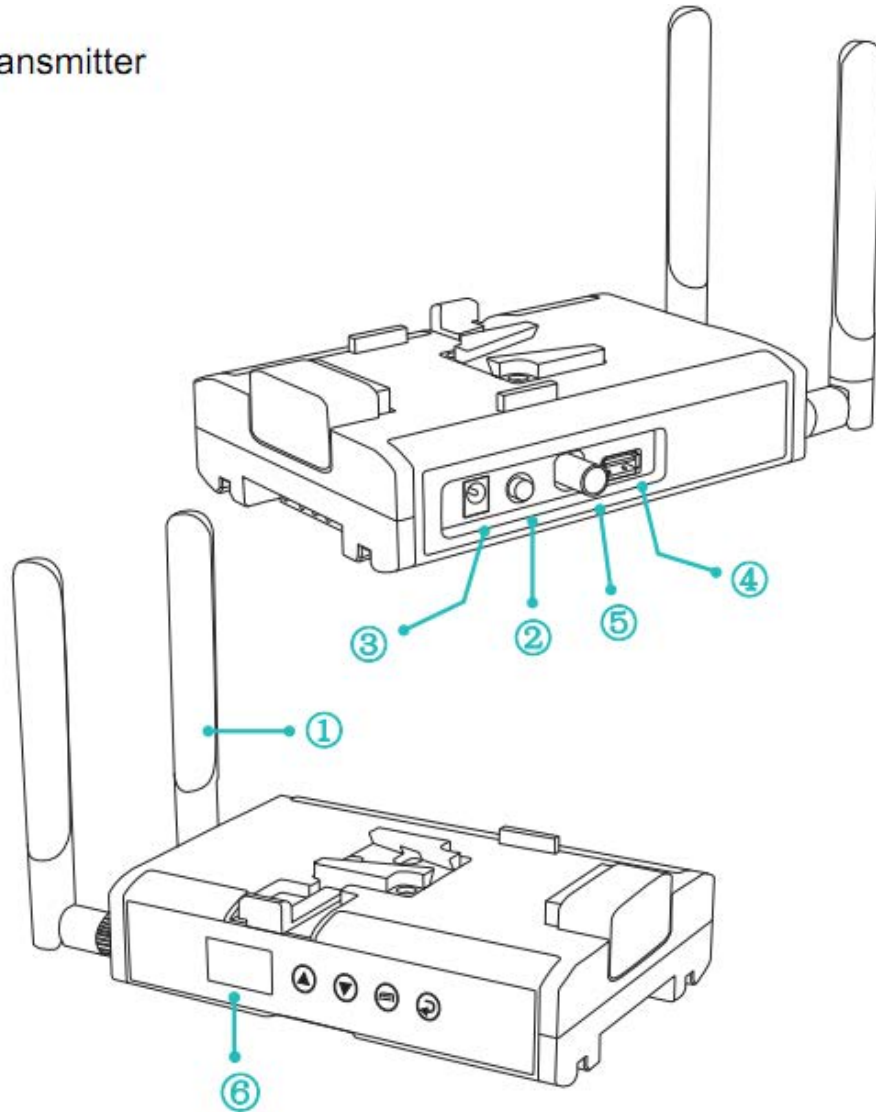


Wireless HD Pro Technology



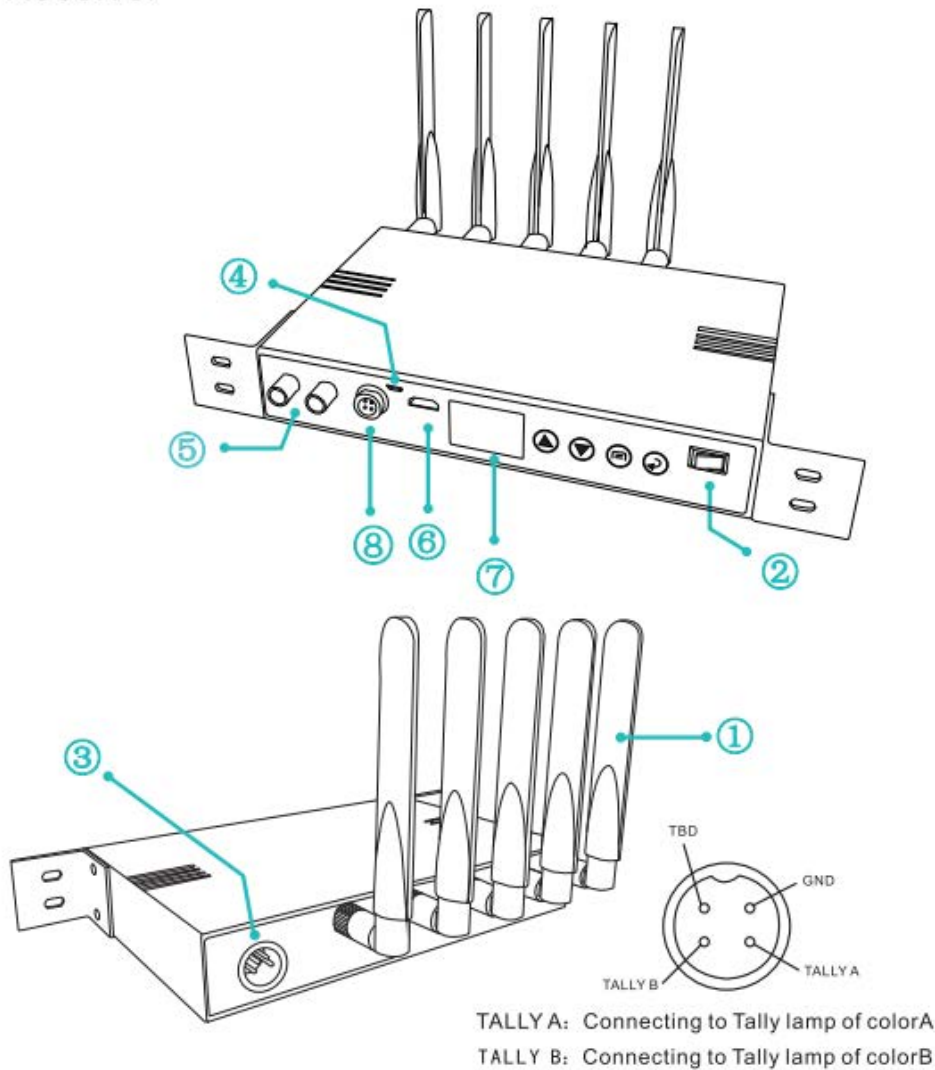
- Special aluminium alloy design
- Zero frame latency (less than 1ms)
- Working on 5GHz frequency
- Long distance HD video transmission
- Extremely high quality video (1080P)
- Compact with V-Lok battery mount
- Software updated via USB port
- Standard HD-SDI input port
- Multicast function (1 TX + 8 RX)

Transmitter



NO.	Name	Illustration
①	Transmitter Antenna	Transmitter Antenna
②	Power Switch	Power Switch
③	Power Port	Connection for power adapter
④	USB Port	Firmware upgrade
⑤	SDI interface	SDI interface
⑥	Display Screen	Shows current working status and setup options

Receiver



NO.	Name	Illustration
①	Receiver Antenna	Receiver Antennas
②	Power Switch	On/off button
③	Power Port	For connection to included power adaptor
④	USB Port	For firmware upgrades
⑤	SDI BNC Connector	Outputs SDI A/V signal
⑥	HDMI Port	Outputs HDMI A/V signals
⑦	Display Screen	Shows current status and setup options
⑧	TALLY	Connect to TALLY connector of Video Switcher

Specification

	Transmitter	Receiver	
Dimension	6.69*4.25*1.97 in	8.27*5.51*1.18 in	
Working Environment	Indoor/Outdoor		
Working Temperature	14°F - 122°F		
Relative Humidity	10%-85%		
Working Frequency	5.2-5.9GHz		
Frequency Selection	Select Frequency as per instructions		
Antennas	External Antenna x 2; can be positioned at 90 degrees	External Antenna x 5; can be positioned at 90 degrees	
Power Supply	DC12V, 2.5A or V-Mount Battery (11V-22V)	DC12V2.5A	
Display Screen	White Light PMOLED, 0.96 Inch, 128*64 Pixel	White Light PMOLED, 0.96 Inch, 128*64 Pixel	
Indicator Light	NO	NO	
Supported Video Resolutions	1080p/60Hz, 1080p/50Hz, 1080p/30Hz, 1080p/25Hz, 1080p/24Hz, 1080i/60Hz, 1080i/50Hz, 720p/60Hz, 720p/50Hz, 576p/60Hz, 576p/50Hz, 576i/50Hz, 480p/60Hz, 480p/50Hz, 480i/60Hz		
Supported Audio Formats	5.1 DTS, 5.1 Dolby, 5.1 PCM 7.1 DTS, 7.1 Dolby, 7.1 PCM 16/20/24bit, 48KHz Sampling rate audio formats		