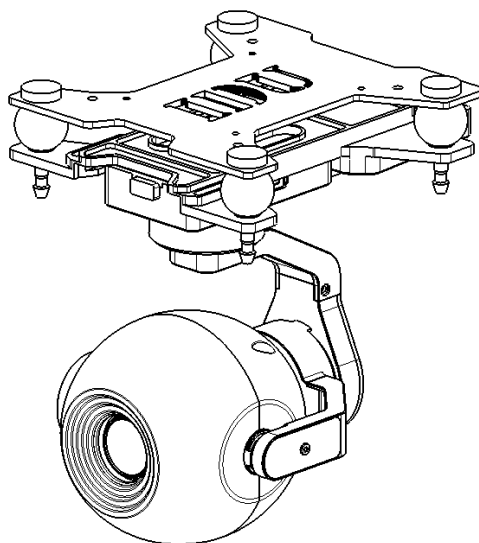




## - Caméra PTZ 8 Megapixel pour Drone avec support



### 1. Features

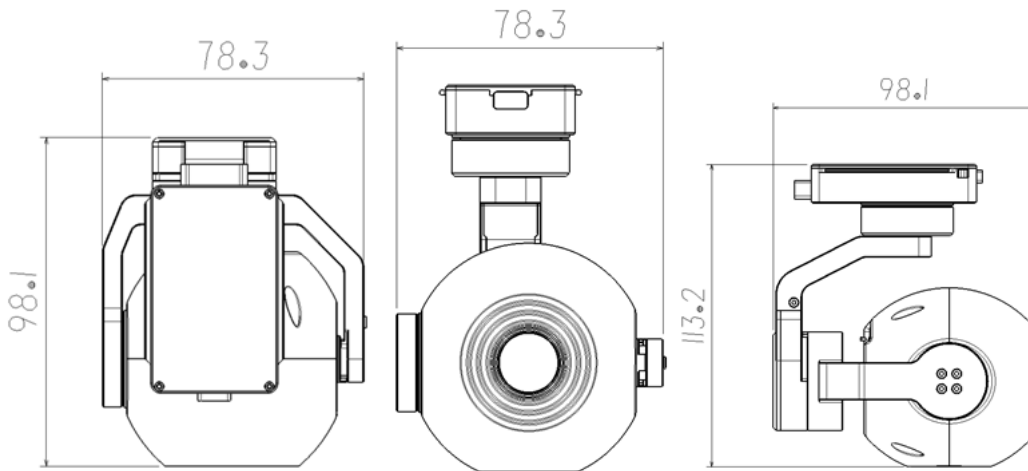
- > 1/2.3" 12 Megapixel COMS Sensor.
- > Powerful 3.5x optical zoom (3.85mm~13.4mm), 4x Digital Zoom.
- > Max. 8Mp(3840x2160) Resolution
- > Support various IVS functions
- > Support Defog, Electronic Image Stabilization
- > 3-Axis stabilized Pan-Tilt, High precision: 0.01°
- > Support GPS info Overlay.
- > Support smart Auto-Tracking
- > Quick Assembly and Disassembly, Open SDK.

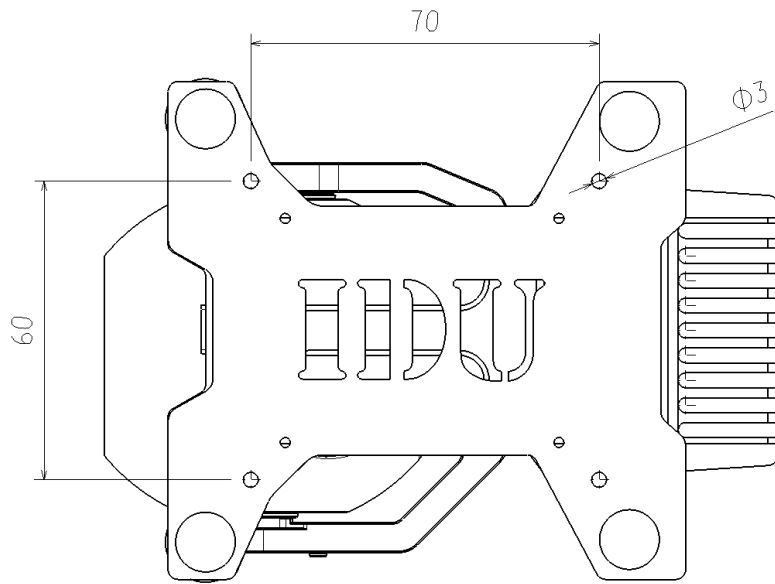
### 2. Specification

Model		SG-UAV8003NL
Sensor	Image Sensor	1/2.3" CMOS
	Effective Pixels	Approx. 12.35 Megapixel
	Max. Resolution	4152(H)x3062(V)
Lens	Focal Length	3.85mm~13.4mm
	Optical Zoom	3.5x
	Aperture	F2.4~F5.0
	Close Focus Distance	1m~3m (Wide ~ Tale)
	Angle of View	82°~25°
Video Network	Compression	H.265/H.264
	Video/Photo Format	MP4/JPEG.
	Storage Capabilities	TF card, up to 128G
	Network Protocol	Onvif, GB28181, HTTP, RTSP, RTP, TCP, UDP

Resolution	Network Output	50Hz: 25fps@8Mp(3840x2160); 60Hz: 30fps@8Mp(3840x2160)
IVS		Tripwire, Cross Fence Detection, Intrusion, Abandoned Object, Fast-Moving, Parking Detection, Crowd Gathering Estimation, Missing Object, Loitering Detection.
Minimum Illumination		Color: 0.1Lux/F2.4; B/W: 0.01/F2.4
Defog		Electronic Defog (Default ON).
Digital Zoom		4x
Electronic Image Stabilization		Support
One Key to 1x Image		Support
<b>Pan-Tilt Gimbal</b>		
Angular Vibration Range		±0.01°
Mount		Detachable
Controllable Range		Pitch: +70°~-100°, Yaw: 360° continuous
Mechanical Range		Pitch: +75°~-110°, Yaw: 360° continuous, Roll:+90°~-50°
Max. Control Speed		Pitch: ±120°/s, Yaw: ±180°/s
Auto-tracking		Support
<b>Conditions</b>		
Operating Conditions		(-10°C~+60°C/20% to 80%RH)
Storage Conditions		(-20°C~+70°C/20% to 95%RH)
Power Supply		DC 12V~25V
Power Consumption		7W
Dimensions(L*W*H)		Approx. 99mm*79mm*140mm
Weight		Gimbal. 275g, IDU 100g

### 3. Dimension





Unit: mm

---