



Caméra Sous-Marine PTZ Motorisée



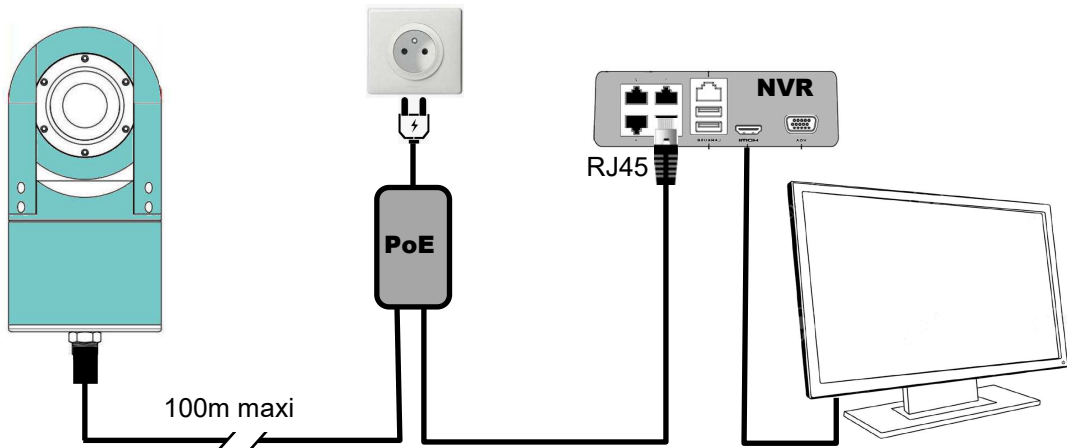
- Caméra PTZ sous-marine
- Motorisée en site, azimut et zoom
- Profondeur maxi 100 mètres
- Projecteur LED
- Liaison data / image par PoE
- Raccordement par un seul cordon



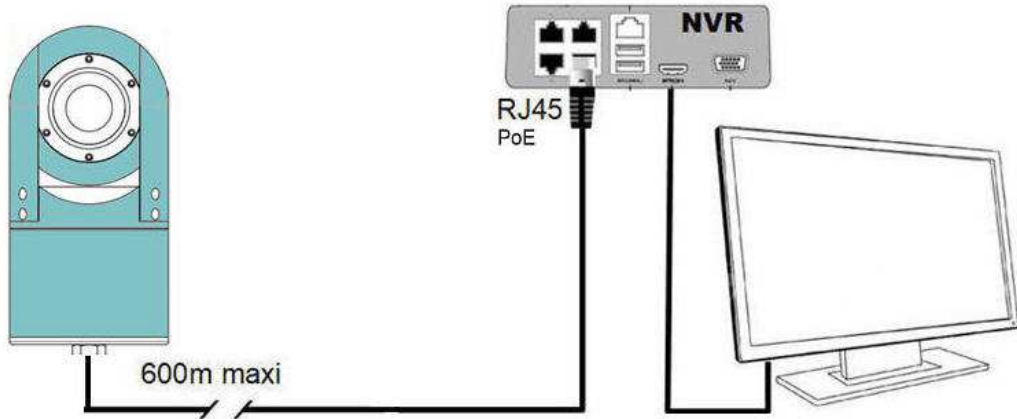
Réf. **UDC-D120**

Underwater HD network Dome Camera 2 Mega pixels	
Model	UDC-D120
Main Parameters	
Image sensor	1/2.8"SONY CCD
Signal types	Network signal
Resolution	2 Mega pixels
Minimum illumination	Colour :0.05Lux@(F1.4, AGC ON) Black and white :0.01Lux @(F1.4AGC ON)
Video processing	H.264/MJPEG
Network interface	RJ45 networking interface, support 10M/100M network data
Focused mode	Automatic/semi-automatic/manual
Day & night mode	Automatic ICR filter
compatibility	Support ONVIF platforms such as Haikang, CMS and UC2, and support
Lens	
Lens	2.8- 12mm, 4X optical MP zoom
Function	
Functions	Memory function of power off state and automatically returns to the cradle head and lens state before power off
	Precision motor drive, sensitive reaction, smooth operation, accuracy deviation less than 0.1 degree, no image jitter
	Provide a complete SDK development kit
Specification	
Housing materials	Stainless steel/aluminum alloy/titanium alloy/industrial plastics
Waterproof level	0 -100 m
Power supply	PoE 48VDC / 30 Watts
Working temperature	-10°C ~ 50°C
Size	Φ120 x 220 mm (not including 34mm connector)
Weight	10KG (Inox 316)

Alimentation via un injecteur PoE



Alimentation directe par un NVR PoE



- Câble marine avec connecteur étanche en option
- Prix selon longueur