



Caméra IP Immersible en Inox avec Zoom 5 – 50 mm



VSM-H265V550

SPECIFICATIONS

Image Sensor	1/2.8" Sony 2MP STARVIS image sensor
DSP chip	S3L33M (Ambarella)
Scan System	Progressive Scan
Total Pixels	1945(H) x 1109(V), 2.16 Mega Pixels
Effective Pixels	1945(H) x 1097(V), 2.13 Mega Pixels
Day & Night	Auto / Day(Color) / Night(BW), ICR Control
Privacy Area	On / Off (16 Programmable Zones)
Motion Detection	432 Zone, Sensitivity 1 ~ 5 Step, On / Off
L P R	Auto, 1/15 ~ 1/9000, On / Off
W D R	Real WDR On(Adjust) / Off
D N R	3DNR, On(Adjust) / Off
Elec. Shutter	Auto(1/30~1/15000), Suppress Rolling, Manual
Color adjust	Bright / Contrast / Saturation / Sharp
White Balance	Auto / Indoor / Outdoor / User
OSD Display	Text, Data, Time, Event, On / Off
Image Mirror	Normal / Mirror(H) / flip(V) / Both(HV)
Video Quality	H.265 : Bitrate Control H.264 : Bitrate Control MJPEG : Quality Level Control
Resolution	1920x1080/1280x1024/1280x960/1280x720 1024x768/640x480/320x240
Max. Frame Rate	30fps @all resolution
Onvif	ONVIF Ver17.06
Power Supply	PoE, DC12[V] ± 10%
Operating Temp	0°C ~ +50°C
Preservation Temp	-10°C ~ +60°C
Humidity	0% ~ 90%
Lens	5~50mm motorized lens
Dimension/mm	Φ72 X 168.5(W) X 120(H)
Weight/g	Approx. 2100

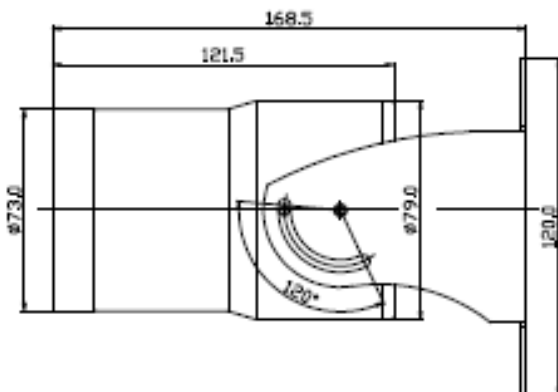


FEATURES

- 1/2.8" Sony 2MP STARVIS image sensor
- Ambarella S3L33M
- Max. 30fps/Full HD (1920x1080)
- ONVIF Ver17.06 Compliant
- Video compression (H.265, H.264, MJPEG)
- Triple streaming
- Real-WDR(Wide Dynamic Range)
- 6pcs of Super LEDs
- **5~50mm motorized lens**
- Stainless Steel Body & bracket (AISI 316L)
- 3D DNR (Digital Noise Reduction)
- Weatherproof **50m / IP 68** compliant
- PoE (IEEE802.3af)



DIMENSION



OPTION / Accessories



extension urethane cable(20M)



Junction box AISI 316L grade



wall mount bracket AISI-316L grade